

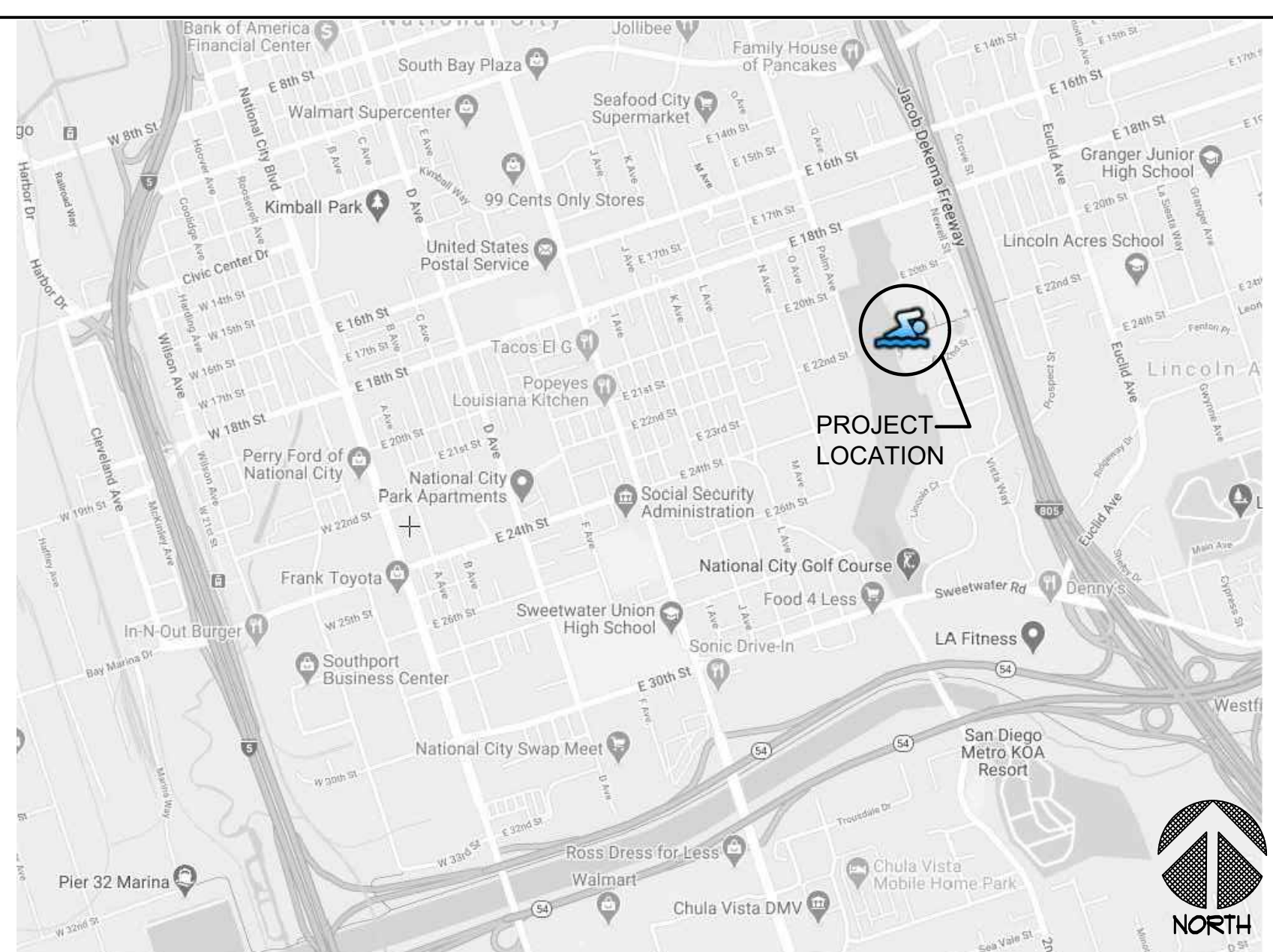
LAS PALMAS SWIMMING POOL RENOVATION

1800 E 22ND STREET
NATIONAL CITY, CALIFORNIA 91950



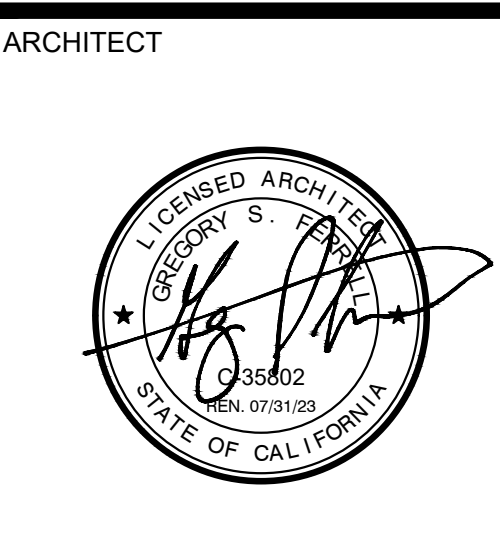
These drawings and specifications are the property and copyright of Aquatic Design Group, Inc. and shall not be used on any other work except by agreement with Aquatic Design Group, Inc. Written dimensions shall take preference over scaled dimensions and shall be verified on the job site. Any discrepancy shall be brought to the notice of Aquatic Design Group, Inc. prior to the commencement of any work.

PROJECT INFORMATION
LAS PALMAS MUNICIPAL POOL RENOVATION
1800 EAST 22ND STREET
NATIONAL CITY, CALIFORNIA 91950

<p>OWNER</p> <p>CITY OF NATIONAL CITY</p> <p>CONTACT: ENGINEERING & PUBLIC WORKS DEPARTMENT 1243 NATIONAL CITY BLVD., NATIONAL CITY, CA 91950 619.336.4360</p>	<p>COMPLY WITH</p> <p>CONSTRUCTION SHALL COMPLY WITH THE FOLLOWING PARTS OF TITLE 24, CALIFORNIA CODE OF RELATIONS (CCR)</p> <p>TITLE 24, PART 1, CCR (2019 EDITION) TITLE 24, PART 2, CCR (2019 UBC W/CAL AMENDS) TITLE 24, PART 3, CCR (2019 NEC W/CAL AMENDS) TITLE 24, PART 4, CCR (2019 UMC W/CAL AMENDS) TITLE 24, PART 5, CCR (2019 UPC W/CAL AMENDS) TITLE 24, PART 9, CCR (2019 UFC W/CAL AMENDS) TITLE 19, CCR, PUBLIC SAFETY, STATE FIRE MARSHALL</p>	<p>VICINITY MAP</p> 	<p>INDEX:</p> <table style="width: 100%; border: none;"> <tr> <td style="width: 15%; vertical-align: top;"> <p>CS-1 DP-1 DP-2 SP-1 SP-2 SP-3 SP-3.1 SP-4 SP-5 SP-6 SP-7 SP-8 SP-9 SP-10 AP-1 AP-2 AP-3 MR-1 MR-2</p> </td> <td style="width: 85%; vertical-align: top;"> <p>COVER SHEET SWIMMING POOL/ ACTIVITY POOL DEMOLITION PLAN SWIMMING POOL/ ACTIVITY POOL DECK PLAN SWIMMING POOL LAYOUT PLAN SWIMMING POOL SECTIONS SWIMMING POOL PIPING PLAN SWIMMING/ACTIVITY POOL UNDERWATER LIGHT PLAN DETAILS DETAILS DETAILS DETAILS DETAILS DETAILS DETAILS DETAILS DETAILS DETAILS ACTIVITY POOL LAYOUT PLAN ACTIVITY POOL SECTIONS DETAILS (E) MECHANICAL ROOM LAYOUT PLAN MECHANICAL DETAILS</p> </td> </tr> </table>	<p>CS-1 DP-1 DP-2 SP-1 SP-2 SP-3 SP-3.1 SP-4 SP-5 SP-6 SP-7 SP-8 SP-9 SP-10 AP-1 AP-2 AP-3 MR-1 MR-2</p>	<p>COVER SHEET SWIMMING POOL/ ACTIVITY POOL DEMOLITION PLAN SWIMMING POOL/ ACTIVITY POOL DECK PLAN SWIMMING POOL LAYOUT PLAN SWIMMING POOL SECTIONS SWIMMING POOL PIPING PLAN SWIMMING/ACTIVITY POOL UNDERWATER LIGHT PLAN DETAILS DETAILS DETAILS DETAILS DETAILS DETAILS DETAILS DETAILS DETAILS DETAILS ACTIVITY POOL LAYOUT PLAN ACTIVITY POOL SECTIONS DETAILS (E) MECHANICAL ROOM LAYOUT PLAN MECHANICAL DETAILS</p>
<p>CS-1 DP-1 DP-2 SP-1 SP-2 SP-3 SP-3.1 SP-4 SP-5 SP-6 SP-7 SP-8 SP-9 SP-10 AP-1 AP-2 AP-3 MR-1 MR-2</p>	<p>COVER SHEET SWIMMING POOL/ ACTIVITY POOL DEMOLITION PLAN SWIMMING POOL/ ACTIVITY POOL DECK PLAN SWIMMING POOL LAYOUT PLAN SWIMMING POOL SECTIONS SWIMMING POOL PIPING PLAN SWIMMING/ACTIVITY POOL UNDERWATER LIGHT PLAN DETAILS DETAILS DETAILS DETAILS DETAILS DETAILS DETAILS DETAILS DETAILS DETAILS ACTIVITY POOL LAYOUT PLAN ACTIVITY POOL SECTIONS DETAILS (E) MECHANICAL ROOM LAYOUT PLAN MECHANICAL DETAILS</p>				
	<p>SPECIAL INSPECTIONS:</p>	<p>CHAPTER 4, PART 1, TITLE 24, C.C.R. ADMINISTRATIVE REQUIREMENTS (PARTIAL LISTING ONLY)</p>	<p>PROJECT DESCRIPTION</p>		
	<p>SPECIAL INSPECTIONS IN ACCORDANCE WITH THE REQUIREMENTS OF CBC SECTION 1701A SHALL BE PROVIDED FOR THE FOLLOWING:</p> <ol style="list-style-type: none"> 1. CONCRETE & REINFORCING PLACEMENT FOR: POOL DECKS 2. DURING THE PLACEMENT OF ALL REINFORCING STEEL WHICH IS INCASED IN CONCRETE WITH A STRENGTH OF (F_c) IN EXCESS OF 2,500 PSI. 	<ol style="list-style-type: none"> 1. A COPY OF PARTS 1 AND 2, TITLE 24, C.C.R. SHALL BE KEPT ON THE JOB SITE AT ALL TIMES. 2. ALL CHANGE ORDERS AND ADDENDA SHALL BE SIGNED BY THE ARCHITECT AND THE OWNER AND APPROVED. 3. ALL TESTS TO CONFORM TO THE REQUIREMENTS OF SECTION 4-335, PART 1, TITLE 24. 4. TESTS OF MATERIALS AND TESTING LABORATORY SHALL BE IN ACCORDANCE WITH SECTION 4-335 OF PART 1, TITLE 24 AND THE OWNER SHALL EMPLOY AND PAY THE LABORATORY. COSTS OF RE-TEST MAY BE BACK CHARGED TO THE CONTRACTOR. 5. THE ARCHITECT SHALL BE NOTIFIED AT THE START OF CONSTRUCTION PER SECTION 4-331 PART 1, TITLE 24. 6. INSPECTOR SHALL BE APPROVED BY THE OWNER. INSPECTION SHALL BE IN ACCORDANCE WITH SECTION 4-333(b). THE DUTY OF THE INSPECTOR SHALL BE IN ACCORDANCE WITH SECTION 4-342, PART 1, TITLE 24. 7. SUPERVISION OF CONSTRUCTION BY THE OWNER SHALL BE IN ACCORDANCE WITH SECTION 4-334, PART 1, TITLE 24. 8. DEMOLITION AND CONSTRUCTION FIRE SAFETY SHALL COMPLY WITH CFC CHAPTER 14. 	<p>SCOPE/DESCRIPTION:</p> <p>THE SCOPE OF THIS PROJECT INCLUDES, BUT IS NOT LIMITED TO: REMOVAL OF EXISTING SWIMMING POOL AND ACTIVITY POOL PLASTER AND REMOVAL OF CONCRETE DECKING AND FENCING TO EXTENTS SHOWN. SWIMMING POOL SHALL BE SHALLOWED AND EXPANDED TO NEW DIMENSIONS AND PROVIDE SHORT COURSE 25 YD SWIMMING LANES. INSTALLATION OF NEW PLASTER AND TILE, NEW DECK ANCHORAGE, DEPTH MARKERS AND OTHER ITEMS AS SHOWN AND SPECIFIED IN THE CONSTRUCTION DOCUMENTS.</p>		

REVISIONS

NO.	DATE	DESCRIPTION



DRAWING TITLE
COVER SHEET

PROJECT NO.	2020.018
DRAWN BY	NMV
CHECKED BY	GSF
DATE	11/30/2021
DRAWING NO. CS-1	

COPYRIGHT © 2021 AQUATIC DESIGN GROUP, INC. ALL RIGHTS RESERVED

DEMOLITION/CONSTRUCTION NOTES

- 1 OWNER SHALL BE RESPONSIBLE FOR POOL DRAIN DOWN. CARE IS TO BE TAKEN TO RELIEVE ANY HYDROSTATIC PRESSURE THROUGH EXISTING HYDROSTATIC RELIEF VALVES AND DRAINING THE POOL SLOWLY.
- 2 THE CONTRACTOR SHALL COORDINATE DEMOLITION WITH ALL OTHER TRADES, AND SHALL PROTECT ALL EXISTING WORK, BUILDINGS, AND UTILITIES. THE CONTRACTOR SHALL FIELD VERIFY LOCATION OF AND PROTECT ALL UNDERWATER LIGHTING CONDUIT, WATER/SEWER/STORM DRAIN LINES, ETC. TO REMAIN AS REQUIRED FOR RENOVATION OF SWIMMING POOL.
- 3 COORDINATE INGRESS/EGRESS AND HAUL ROUTES WITH THE OWNER PRIOR TO START OF WORK.
- 4 SWIMMING POOL/ACTIVITY POOL PLAN VIEWS AND SECTIONS ARE SHOWN FOR CONTRACTOR INFORMATION AND ASSISTANCE. THE CONTRACTOR IS RESPONSIBLE FOR INDIVIDUAL SQUARE FOOTAGE TAKE-OFFS AND ESTIMATIONS WITH REGARD TO DEMOLITION, PREPARATION, AS WELL AS MEANS AND METHODS OF CONSTRUCTION. CONTRACTOR SHALL VISIT THE SITE AS REQUIRED TO ACCOMPLISH THE WORK, AND TO BECOME FAMILIAR WITH SCOPE AND SERVICES OF WORK REQUIRED.
- 5 COORDINATE PROPOSED CONTRACTOR STAGING AREA WITH THE OWNER PRIOR TO CONSTRUCTION.
- 6 CONTRACTOR IS TO PHOTOGRAPH AND DOCUMENT ON A PLAN ANY AND ALL EXISTING DAMAGED ITEMS/SURFACES, FINISHES IN AND IMMEDIATELY AROUND THE WORK AREA AND ALONG ALL WORK PATHS FROM STAGING AREA PRIOR TO THE START OF WORK. CONTRACTOR IS TO SITE WALK ALL EXISTING DAMAGED AREAS WITH THE OWNER AND PROVIDE A COPY OF THE PHOTOGRAPHS AND DOCUMENTATION BEFORE WORK BEGINS. FAILURE TO PROVIDE THIS INFORMATION REPRESENTS ACCEPTANCE BY THE CONTRACTOR THAT ALL EXISTING SURROUNDING FINISHES (CONCRETE, AC PAVING, FLOORING, ETC.) AND ALL GATES, DOORS, PATHWAYS, ETC. ARE UNDAUNAGED AND IN CLEAN AND FUNCTIONING CONDITION, AND CONTRACTOR ACCEPTS THE RESPONSIBILITY TO MAINTAIN AND CORRECT ANY DAMAGE LATER FOUND BY THE OWNER DURING CONSTRUCTION PERIOD IN THESE AREAS AT NO EXPENSE TO THE OWNER.
- 7 REMOVE EXISTING DECK EQUIPMENT PRIOR TO DEMOLITION. PROVIDE NEW ANCHORS AND BOND TO NEW DECKING. CONTRACTOR TO FIELD VERIFY AND DOCUMENT LOCATION OF DECK EQUIPMENT ANCHORS AND INSTALL NEW ANCHORS TO MATCH EXISTING IN SAME LOCATIONS UNLESS OTHERWISE NOTED ON SP-1.
- 8 REMOVE AND PROTECT EXISTING HANDRAILS TO BE REUSED AFTER CONSTRUCTION AND CLEAN, POLISH AND REINSTALL AFTER WORK HAS BEEN COMPLETED.
- 9 REMOVE EXISTING ROPE ANCHORS (EXCEPT AT 4'-6" LOCATIONS) AND UNDERWATER LIGHTS ALONG NORTHERN END OF SWIMMING POOL. INSTALL IN NEW LOCATIONS PER NEW LAYOUT PLAN SP-1. REMOVE AND RELOCATE ROPE ANCHORS AROUND REMAINDER OF SWIMMING POOL FOR NEW COURSE LAYOUT AND BOND TO EXISTING ADJACENT REBAR. INFILL EXISTING REMOVAL LOCATIONS WITH NON-SHRINK GROUT. REMOVE WATERLINE / GUTTER CAP TILE, GUTTER GRATING IN BOTH POOLS, SWIMMING POOL LANE LINES AND END WALL TARGET TILE AND PLASTER FINISHES DOWN TO ORIGINAL SOUND CONCRETE/SHOTCRETE. ANY CRACKS SHALL BE CHIPPED OUT TO A MINIMUM TO 3/4" AND THEN FILLED FLUSH WITH NON-SHRINK GROUT. ALL EXPOSED REBAR, RUST SPOTS, ETC. SHALL BE EXPOSED, BUSHED DOWN 1/2" BELOW FINISH SURFACE, ZINC COATED AND FILLED FLUSH WITH NON-SHRINK GROUT. OTHER IMPERFECTIONS IN THE POOL SHELL SHALL BE REPAIRED PRIOR TO INSTALLING A NEW WHITE PLASTER FINISH.
- 10 SAWCUT AND REMOVE 2" BEHIND TOP STEP AT ALL POOL STAIR ENTRANCES TO COMPLY WITH CODE TO CREATE A 14" DEEP TOP STEP. RELOCATE C101 HANDHOLD TILE BACK 2". REMOVE ALL EXISTING GRABRAIL STEPS. ONCE STEPS ARE REMOVED ALL RUST SPOTS SHALL BE EXPOSED, BUSHED DOWN 1/2" BELOW FINISHED SURFACE, ZINC COATED AND FILLED FLUSH WITH NON-SHRINK GROUT. INSTALL LADDERS AND ANCHORAGE IN NEW LOCATIONS AND BOND PER PLANS.
- 11 SAWCUT AND REMOVE ALL AREAS OF POOL FLOOR AS SHOWN HATCHED ON PLAN. REMOVE EXISTING SOUTHERN WALL OF SWIMMING POOL TO EXTEND AND ENLARGE POOL TO NEW DIMENSIONS. INSTALL NEW FLOOR INLETS, INTERCEPT EXISTING SUCTION AND RETURN PIPING AND MAKE POINTS OF CONNECTION OUTSIDE OF POOL STRUCTURE. FIELD VERIFY LOCATION AND INVERTS.
- 12 REMOVE EXISTING 4'-6" WATER DEPTH TILE MARKER (4" LINE) AND STEP TRIM TILE AND PROVIDE NEW 'DAL-TILE' #D31 'BLACK' TILE. REMOVE AND REPLACE ALL ZERO DEPTH ENTRY TILE.
- 13 SAWCUT 12" EITHER SIDE OF ALL EXPANSION JOINTS AND OTHER AREAS WHERE POOL STRUCTURE IS TO BE EXPANDED PER DETAILS PROVIDED AND DOWEL IN NEW REBAR AND INFILL WITH NEW SHOTCRETE. CONCRETE ALL EXPANSION JOINTS SHALL BE REMOVED IN POOL FLOOR/WALL AND GUTTER. GUTTER EXPANSION JOINTS SHALL ALSO BE REMOVED AS PART OF OVERALL RENOVATION.
- 14 REMOVE ALL EXISTING SWIMMING POOL FLOOR INLET COVERS AND FITTINGS AND INFILL WITH NON-SHRINK GROUT PRIOR TO REPLASTERING. ABANDON EXISTING FLOOR INLET PIPING IN PLACE.

- 15 REMOVE EXISTING POOL DECKS AS SHOWN HATCHED. CARE SHALL BE TAKEN TO NOT DAMAGE (E) DECK DRAINAGE PIPING. CONTRACTOR SHALL REMOVE FENCE BETWEEN SWIMMING POOL AND BATHHOUSE BUILDING (NOT TO BE REINSTALLED). FENCING BETWEEN TWO POOLS SHALL BE REMOVED AND REPLACED AS WELL AS ENTIRE PERIMETER FENCING WITH NEW CONTRACTOR SHALL COORDINATE AND PROTECT ALL ADJACENT WORK, BUILDINGS, ETC. TO REMAIN. EXISTING ELEVATIONS ARE TO REMAIN AND DECK SHALL BE COORDINATED ON SITE WITH EXISTING DECK ELEVATIONS. MAXIMUM DECK SLOPE IN ANY DIRECTION SHALL NOT BE LESS THAN 10% AND SHALL NOT EXCEED 20% MAXIMUM. CONTRACTOR SHALL FIELD VERIFY DECK DRAIN LOCATIONS AND EXISTING POINTS OF CONNECTION TO (E) DECK DRAIN LINES. CONTRACTOR SHALL REPLACE DECK AREA DRAINS WITH NEW PER DETAIL.
- 16 THE CONTRACTOR SHALL ENSURE THAT ALL SURFACES ARE PREPARED TO RECEIVE NEW PLASTER FINISH. WEATHER CONDITIONS SHALL BECOME A CRITICAL PART OF WORK AND SHALL BE TAKEN INTO CONSIDERATION AT THE TIME OF PLASTER APPLICATION.
- 17 THE CONTRACTOR SHALL PROVIDE A SUFFICIENT NUMBER OF WORKERS TO ENSURE THAT THE ENTIRE POOL CAN BE PLASTERED IN A SINGLE DAY OR SHALL PROVIDE CONTINUAL MIXING OF PLASTERED SURFACES TO ENSURE THAT PLASTER IS NOT EXPOSED TO THE AIR FOR A PERIOD OF TIME WHICH WOULD CAUSE DAMAGE IN ANY WAY.
- 18 THE CONTRACTOR SHALL REPAIR OR REPLACE ANY ITEMS DAMAGED DUE TO DEMOLITION AND/OR CONSTRUCTION, AT NO COST TO THE OWNER INCLUDING BUT NOT LIMITED TO UTILITIES, FITTINGS, EQUIPMENT, ANCHORS, ETC.
- 19 REPLACE ANY DAMAGED OR MISSING FLOOR INLET COVER PLATES, FLOOR INLET FITTINGS PER DETAIL AND SPECIFICATIONS IN ACTIVITY POOL.
- 20 DEPTH MARKERS SHALL BE LOCATED AT MAXIMUM 25'-0" O.C. AROUND ENTIRE POOL PERIMETER AND SHALL HAVE MINIMUM 4" TALL NUMBERS AND LETTERS WITH 'FT' AND 'IN' DESIGNATION. PROVIDE NEW INTERNATIONAL 'NO DIVING' TILES AT ALL DEPTH MARKER LOCATIONS 6'-0" DEPTH OR SHALLOWER. PREPARE ALL SURFACES TO RECEIVE NEW TILE PER PLANS.
- 21 REFER TO SHEET DP-2 FOR NEW DECK LAYOUT PLAN IN COORDINATION WITH CONTRACTOR FIELD LAYOUT. ALL NEW CONCRETE SHALL BE 4000 PSI MINIMUM AT 28 DAYS. FIELD VERIFY SQUARE FOOTAGE.
- 22 CONTRACTOR TO FIELD VERIFY GUTTER OUTLET LOCATIONS AND PROVIDE A GUTTER ACCESS COVER WITH NEW DECK INSTALLATION PER DETAIL. IF ANY GUTTER OUTLETS ARE LOCATED IN AREA WHERE POOL IS BEING EXPANDED CONTRACTOR SHALL RECONNECT TO EXISTING GUTTER OUTLET LINES AND REROUTE AS NECESSARY SO THAT THE GUTTER FUNCTIONS PROPERLY AND SLOPES TO GUTTER OUTLETS TO PROPERLY EVACUATE WATER.
- 23 REMOVE AND DISPOSE OF ONE METER AND THREE METER DIVE STANDS.
- 24 INSTALL NEW HANDRAIL ON SHALLOW SIDE OF SWIMMING POOL STEPS AT 24" OFFSET FOR ADA ACCESS. MATCH EXISTING HANDRAIL SIZE AND BOND WITH SWIMMING POOL REINFORCEMENT AND NEW DECK REINFORCEMENT.
- 25 REFER TO SHEET SP-1 FOR NEW POOL LAYOUT PLAN IN COORDINATION WITH CONTRACTOR FIELD LAYOUT AND EXISTING INFORMATIONAL PLANS.
- 26 THE OWNER SHALL IDENTIFY THE SWIMMING POOL FILL WATER SOURCE FROM CLOSEST FIRE HYDRANT AND SHALL PAY FOR THE WATER TO FILL THE POOL. THE CONTRACTOR IS RESPONSIBLE FOR FIRE HOSE, HOSES FILLING AND PROTECTION OF PLASTER SURFACES. FILL SOURCE SHALL BE BLOWN OFF INITIALLY TO PROVIDE A CLEAN DOMESTIC WATER SOURCE. THE CONTRACTOR SHALL PROVIDE CONTINUOUS FILL UNTIL THE WATER IS AT OPERATIONAL LEVEL. THE CONTRACTOR SHALL BE RESPONSIBLE FOR CLEANING AND BALANCING OF THE POOL WATER FOR A PERIOD OF NOT LESS THAN FOURTEEN (14) DAYS AFTER PLASTER. THE CONTRACTOR SHALL COORDINATE HIS EFFORTS WITH OWNERS STAFF TO PROVIDE INSTRUCTION AND TRAINING IN PROPER OPERATION OF POOL IN CONJUNCTION WITH NEW PLASTER SURFACES.
- 27 CONTRACTOR SHALL REMOVE AND DISCARD EXISTING SLIDE, SLIDE FENCE AND REPAIR GUTTER AND POOL WALL WITH REGARD TO SLIDE REMOVAL.
- 28 CONTRACTOR SHALL REFINISH AND REPAIR EXISTING WET PLAY TOYS IN ACTIVITY POOL PRIOR TO REPLASTERING AND PROTECT TOYS DURING DEMOLITION AND CONSTRUCTION. VERIFY COLOR SELECTION WITH OWNER.
- 29 REMOVE AND REPLACE EQUIPMENT AS LISTED ON SHEET MR-1. CLEAN AND RECOAT EXISTING SURGE CHAMBERS WITH TWO (2) NEW COATS OF WATERPROOFING PER SPECIFICATIONS.
- 30 CORE SIX (6) 2" HOLE IN THE BOTTOM OF THE EXISTING POOL FLOOR DOWN TO SOIL AND INFILL WITH 3/4" CRUSHED ROCK EVENLY SPACED IN ABANDONED DEEP END OF POOL FOR HYDROSTATIC EQUALIZATION UNDER SHALLOWING OF POOL FLOOR AREA.
- 31 REMOVE AND REPLACE ALL UNDERWATER LIGHTS WITH NEW LOCATIONS AS SHOWN ON SP-1 FOR SWIMMING POOL AND NEW LED LIGHTS IN EXISTING LOCATIONS FOR ACTIVITY POOL. PROVIDE NEW CONDUITS TO NEW JUNCTION BOXES AS PART OF NEW DECK SCOPE.

(E) SWIMMING POOL DATA

SURFACE AREA	=	10,954 SQ. FT.
PERIMETER	=	508 FT.
DEPTH	=	3'-0" TO 13'-6"
VOLUME	=	568,000 GAL.
6 HR TURNOVER	=	1,980 GPM

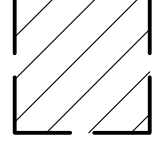
(E) ACTIVITY POOL DATA

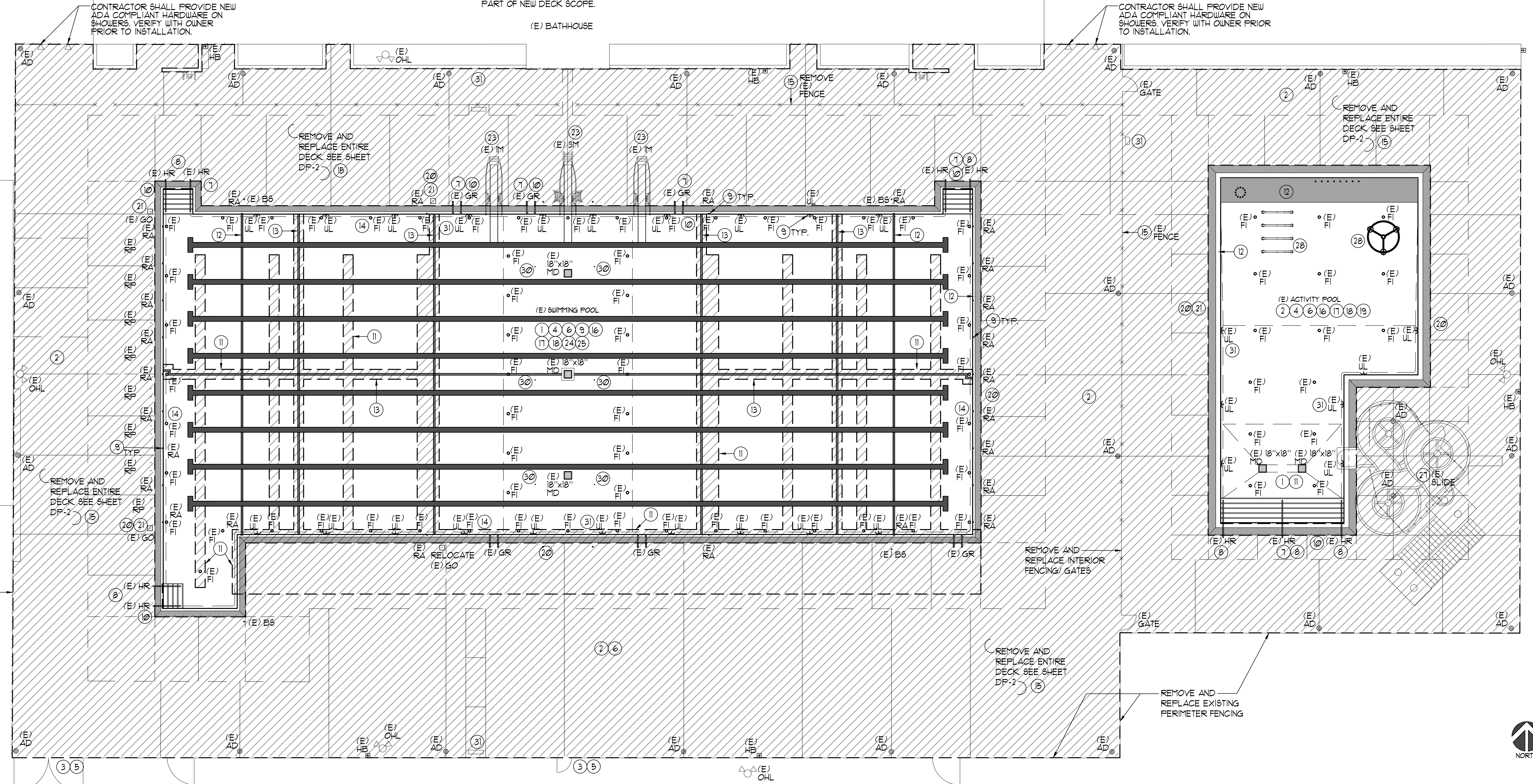
SURFACE AREA	=	2,350 SQ. FT.
PERIMETER	=	220 FT.
DEPTH	=	0'-0" TO 3'-9"
VOLUME	=	31,000 GAL.
14 HR TURNOVER	=	450 GPM

SCOPE SUMMARY

CONTRACTOR SHALL EXTEND THE SWIMMING POOL AND GUTTER FOR A 25YD SWIMMING COURSE, ADJUST TOP STEPS AT ENTRY STAIRS TO MEET CURRENT CODE. REMOVE AND REPLACE ROPE ANCHORS, UNDERWATER LIGHTS AND GRABRAILS WITH NEW SWIMMING COURSE LAYOUT. LAY OUT NEW 50YD SWIMMING POOL COURSE. REMOVE AND REPLACE TILE PLASTER AND GUTTER GRATING. REMOVE EXISTING EXPANSION JOINTS AND STRUCTURALLY TIE THE POOL TOGETHER. ABANDON AND REMOVE EXISTING FLOOR INLETS. ADD NEW FLOOR INLETS AND PIPING. SHALLOW UP POOL FLOOR AND PUT IN NEW MAIN DRAIN SUCTION PIPING. POINT OF CONNECTION TO EXISTING SUCTION LINES, RETURN LINES, AND GUTTER OUTLETS. REMOVE AND REPLACE EXISTING PERIMETER FENCING PER PLAN. REMOVE AND REPLACE EXISTING MECHANICAL ROOM EQUIPMENT AS LISTED ON MECHANICAL ROOM DEMO SHEET AND ANY OTHER ITEMS THAT MAY BE LISTED HERE OR IN DETAILS.

LEGEND

HR	=	HAND RAIL
HB	=	HOSE BIBB
RP	=	RACING PLATFORM
FI	=	FLOOR INLET
OHL	=	OVERHEAD LIGHT
GR	=	GRABRAIL
3M	=	THREE METER DIVE STAND
1M	=	ONE METER DIVE STAND
AD	=	AREA DRAIN
GO	=	GUTTER OUTLET
MD	=	MAIN DRAIN
UL	=	UNDERWATER LIGHT
BS	=	BACKSTROKE STANCHION
(E)	=	EXISTING
	=	LIMITS OF EXISTING POOL DECK REMOVALS



POOL AREA DEMOLITION PLAN

1" = 10'-0"



These drawings and specifications are the property and copyright of Aquatic Design Group, Inc. and shall not be used on any other work except by agreement with Aquatic Design Group, Inc. Written dimensions shall take preference over scaled dimensions and shall be verified on the job site. Any discrepancy shall be brought to the notice of Aquatic Design Group, Inc. prior to the commencement of any work.

LAS PALMAS MUNICIPAL POOL RENOVATION
1800 EAST 22ND STREET
NATIONAL CITY, CALIFORNIA 91950

REVISIONS

NO.	DATE	DESCRIPTION



POOL AREA DEMOLITION PLAN



PROJECT NO.	2020.018
DRAWN BY	NMV
CHECKED BY	GSF
DATE	11/30/2021

DRAWING NO. **DP-1**

These drawings and specifications are the property and copyright of Aquatic Design Group, Inc. and shall not be used on any other work except by agreement with Aquatic Design Group, Inc. Written dimensions shall take preference over scaled dimensions and shall be verified on the job site. Any discrepancy shall be brought to the notice of Aquatic Design Group, Inc. prior to the commencement of any work.

LAS PALMAS MUNICIPAL POOL RENOVATION
1800 EAST 22nd STREET
NATIONAL CITY, CALIFORNIA 91950

(N) SWIMMING POOL DATA

SURFACE AREA	=	12,459 SQ. FT.
PERIMETER	=	508 FT.
DEPTH	=	3'-0" TO 6'-6"
VOLUME	=	498,945 GAL.
6 HR TURNOVER	=	1385 GPM

(E) ACTIVITY POOL DATA

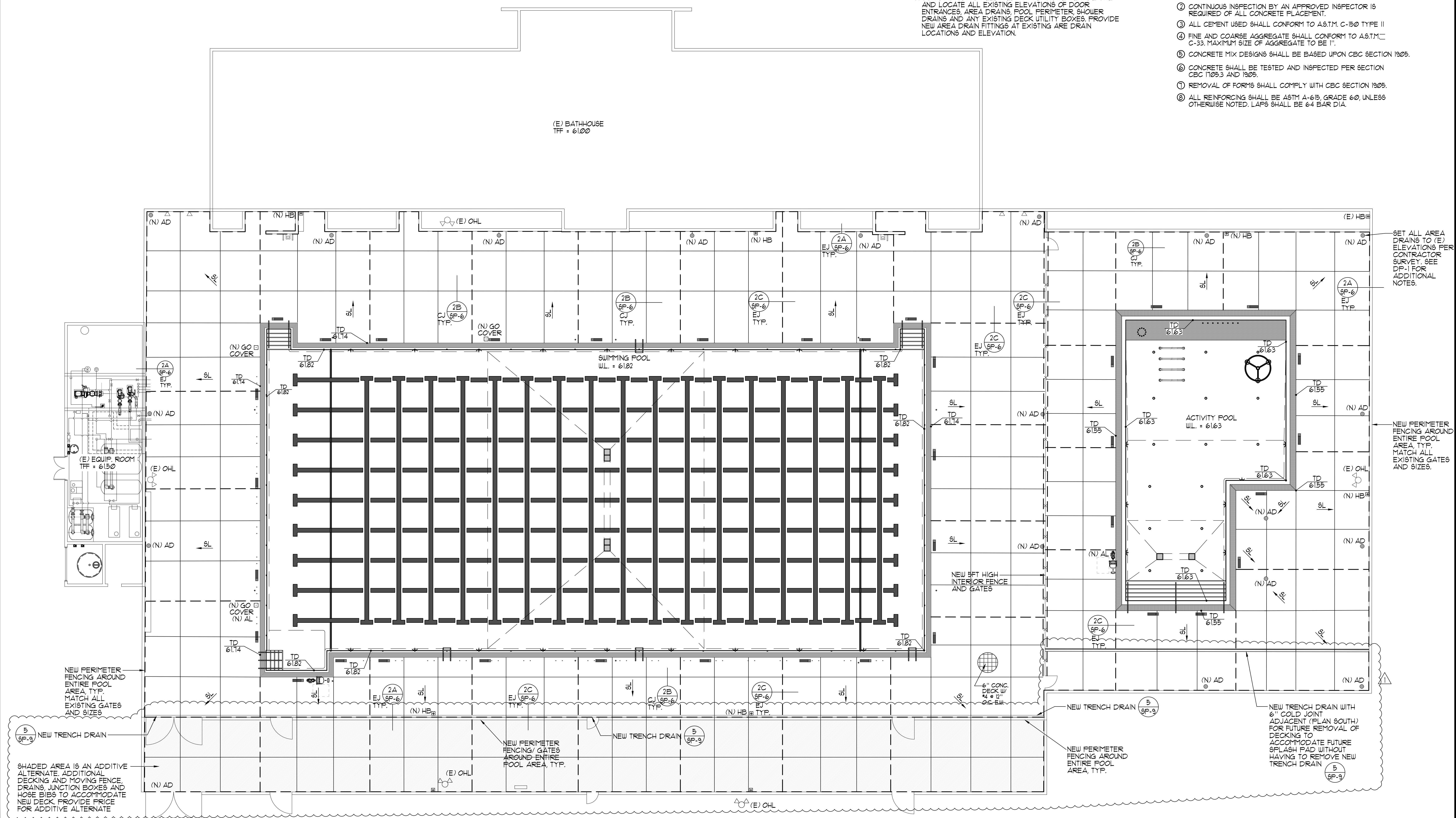
SURFACE AREA	=	2350 SQ. FT.
PERIMETER	=	220 FT.
DEPTH	=	0'-0" TO 3'-9"
VOLUME	=	37,000 GAL.
1.4 HR TURNOVER	=	450 GPM

LEGEND

- EJ- EXPANSION JOINT
- CJ- CONTROL JOINT
- EJ CJ- (E) CONTROL JOINT
- AD AREA DRAIN
- AL ACCESSIBLE LIFT
- HB HOSE BIBB
- SL SLOPE DIRECTION
- WL WATERLEVEL
- TD TOP OF DECK
- TFF TOP OF FINISHED FLOOR
- OHL OVERHEAD LIGHT
- GO GUTTER OUTLET COVER
- (E) EXISTING
- (N) NEW

- CONCRETE NOTES:**
- ① THE MINIMUM ULTIMATE COMPRESSIVE STRENGTH AT 28 DAYS WITH A 0.40-0.50 WATER/CEMENT RATIO
POOL = 4000 PSI
SLAB-ON-GRADE = 4000 PSI
 - ② CONTINUOUS INSPECTION BY AN APPROVED INSPECTOR IS REQUIRED OF ALL CONCRETE PLACEMENT.
 - ③ ALL CEMENT USED SHALL CONFORM TO ASTM C-150 TYPE II
 - ④ FINE AND COARSE AGGREGATE SHALL CONFORM TO ASTM C-39, MAXIMUM SIZE OF AGGREGATE TO BE 1"
 - ⑤ CONCRETE MIX DESIGNS SHALL BE BASED UPON CBC SECTION 1905.
 - ⑥ CONCRETE SHALL BE TESTED AND INSPECTED PER SECTION CBC 1105.3 AND 1905.
 - ⑦ REMOVAL OF FORMS SHALL COMPLY WITH CBC SECTION 1905.
 - ⑧ ALL REINFORCING SHALL BE ASTM A-615, GRADE 60, UNLESS OTHERWISE NOTED. LAPs SHALL BE 64 BAR DIA.

- NOTES:**
1. COORDINATE SIGNAGE PLACEMENT AND COLOR SCHEME WITH OWNER PRIOR TO INSTALLATION.
 2. DECKS SHALL HAVE 1% MIN. SLOPE AND 2% MAX. SLOPE TO (E) DRAINS.
 3. ALL POOL DECKING SHALL BE NON-SLIP AND NON-ABRASIVE MEDIUM BROOM FINISH WITH MIN. 4 FOOT WIDTH TYP. NATURAL GRAY CONCRETE UNLESS OTHERWISE NOTED.
 4. REFER TO ARCHITECTURAL PLANS FOR LOCATIONS AND QUANTITY OF REQUIRED EXITS, DRINKING FOUNTAINS, AND SANITARY FIXTURES.
 5. THE POOL CANNOT BE WITHOUT AN APPROVED POOL ENCLOSURE AT ANY TIME, INCLUDING DURING CONSTRUCTION AND INSTALLATION OF THE NEW POOL ENCLOSURE.
 6. CONTRACTOR TO FIELD VERIFY AND SURVEY ENTIRE SITE AND LOCATE ALL EXISTING ELEVATIONS OF DOOR ENTRANCES, AREA DRAINS, POOL PERIMETER, SHOWER DRAINS AND ANY EXISTING DECK UTILITY BOXES, PROVIDE NEW AREA DRAIN FITTINGS AT EXISTING AREA DRAIN LOCATIONS AND ELEVATION.



SWIMMING POOL / ACTIVITY POOL DECK PLAN 1"=10'-0"

REVISIONS

NO.	DATE	DESCRIPTION
1	1/11/22	ADDENDUM #1

ARCHITECT

DRAWING TITLE
**SWIMMING POOL/
ACTIVITY POOL
DECK LAYOUT PLAN**

CALIFORNIA
NATIONAL CITY
INCORPORATED 1937

PROJECT NO. 2020.018
DRAWN BY NMV
CHECKED BY GSF
DATE 11/30/2021

DRAWING NO.
DP-2

These drawings and specifications are the property and copyright of Aquatic Design Group, Inc. and shall not be used on any other work except by agreement with Aquatic Design Group, Inc. Written dimensions shall take preference over scaled dimensions and shall be verified on the job site. Any discrepancy shall be brought to the notice of Aquatic Design Group, Inc. prior to the commencement of any work.

LAS PALMAS MUNICIPAL POOL RENOVATION
1800 EAST 22ND STREET
NATIONAL CITY, CALIFORNIA 91950

REVISIONS

NO.	DATE	DESCRIPTION



DRAWING TITLE
SWIMMING POOL LAYOUT PLAN



PROJECT NO.	2020.018
DRAWN BY	NMV
CHECKED BY	GSF
DATE	11/30/2021

DRAWING NO.
SP-1

CERTIFICATION REQUIREMENTS

* THE CONTRACTOR SHALL RETAIN AN INDEPENDENT LICENSED SURVEYOR TO PROVIDE PROOF OF COMPLIANCE FOR REQUIRED POOL LENGTHS AS FOLLOWS: (RECOMMEND PATRELLI ENG. GROUP (626) 335-4362)

SHORT COURSE-25YDS; (ALLOW FOR TOUCH PADS AT ONE END) 15'-0" 5/16" MIN.; 15'-1" 3/16" MAX.

LONG COURSE-50M; (ALLOW FOR TOUCH PADS AT BOTH ENDS) 164'-1 1/2" MIN.; 164'-1 1/2" MAX.

TOLERANCE AGAINST LENGTH SHALL EXTEND IN A VERTICAL PLANE 0.3M (12") ABOVE AND 0.2M (7 1/2") BELOW THE SURFACE OF THE WATER AT ALL POINTS OF BOTH END WALLS TYP. OF ALL COURSES.

THE INDEPENDENT LICENSED SURVEYOR SHALL FILL OUT, NOTARIZE AND FILE OFFICIAL CERTIFICATION FORM(S) WITH USA SWIMMING FOR CLASS A COMPETITION POOL.

** CONTRACTOR SHALL RETAIN A LICENSED ENGINEER TO CERTIFY THE MAIN DRAIN SYSTEMS AS V.G.B. COMPLIANT.

(N) SWIMMING POOL DATA

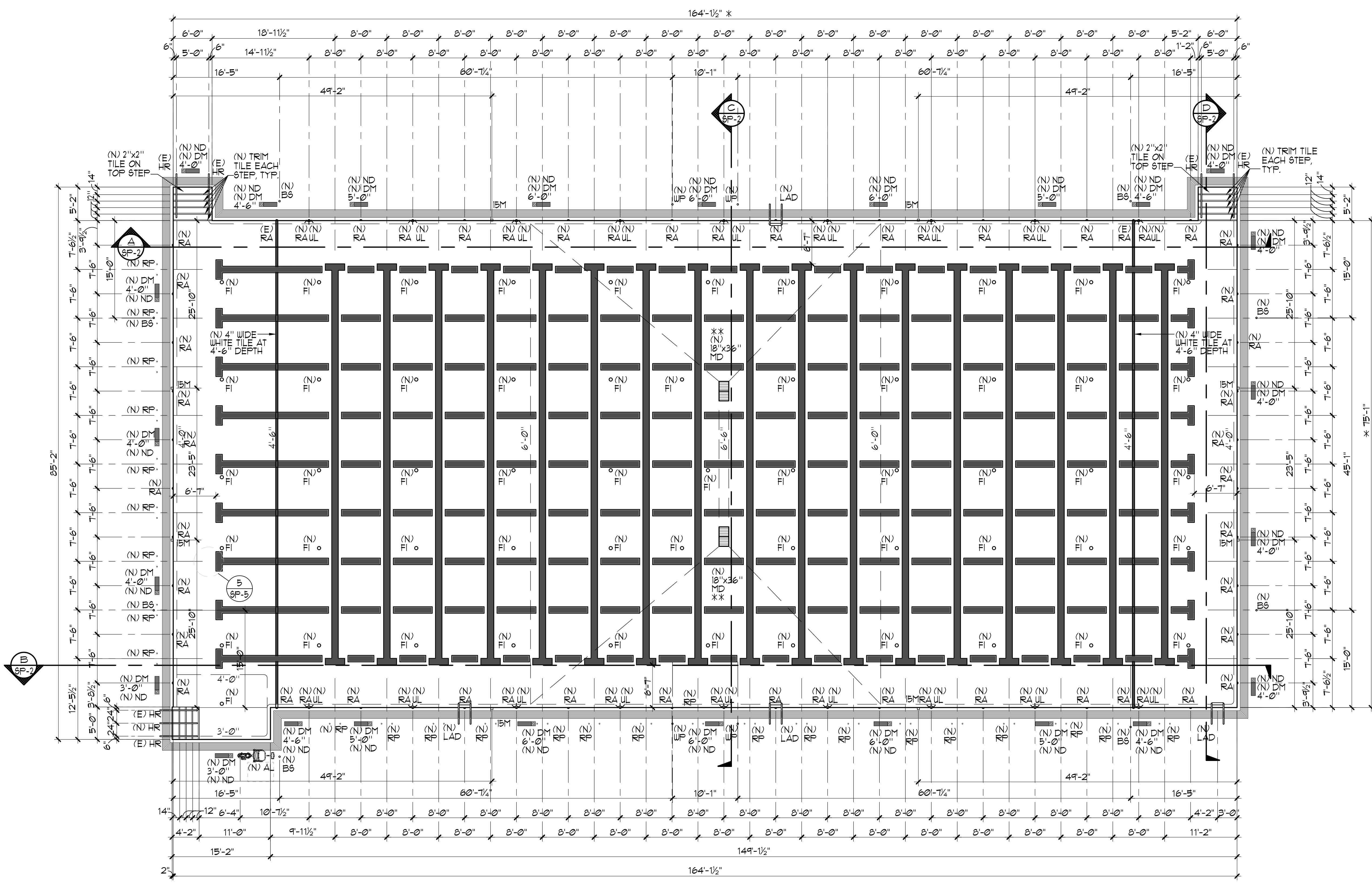
SURFACE AREA	=	12,453 SQ. FT.
PERIMETER	=	508 FT.
DEPTH	=	3'-0" TO 6'-6"
VOLUME	=	498,945 GAL.
6 HR TURNOVER	=	1385 GPM

LEGEND

DM	=	DEPTH MARKER	①
ND	=	'NO DIVING'	②
MD	=	MAIN DRAIN	③
BS	=	BACKSTROKE STANCHION ANCHOR	④
FI	=	FLOOR INLET	⑤
AL	=	ACCESSIBLE LIFT	⑥
LAD	=	LADDER	⑦
UL	=	UNDERWATER LIGHT	⑧
RP	=	RACING PLATFORM ANCHOR	⑨
RA	=	ROPE ANCHOR	⑩
UP	=	WATER POLO ANCHOR	⑪
(E)	=	EXISTING	
(N)	=	NEW	
BM	=	15 METER MARKER	

HEALTH DEPARTMENT NOTES:

- SWIMMING POOL PLASTER COLOR SHALL BE WHITE WITH NO LETTERS, MARKINGS OR DESIGNS EXCEPT FOR SAFETY MARKINGS.
- 6" WATERLINE AND GUTTER CAP TILE SHALL BE GLOSSY SMOOTH AND OF A CONTRASTING COLOR TO THE POOL PLASTER, AROUND THE ENTIRE POOL PERIMETER.
- ALL MARKERS LOCATED ON THE DECK SHALL BE SLIP RESISTANT. SLIP RESISTANT IS CONSIDERED A WET COEFFICIENT OF FRICTION OF 0.6 OR GREATER.



SWIMMING POOL LAYOUT PLAN

1/8" = 1'-0"



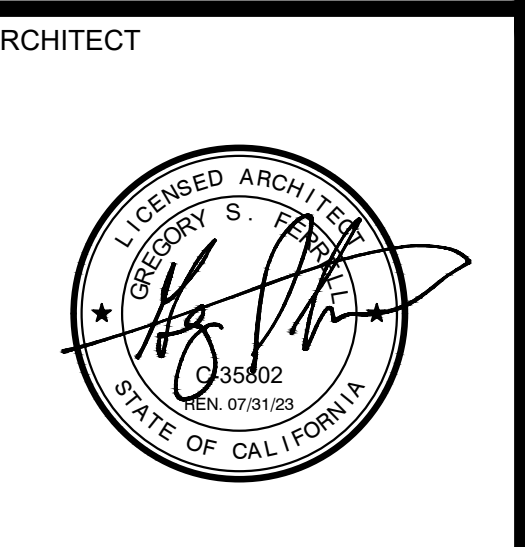
These drawings and specifications are the property and copyright of Aquatic Design Group, Inc. and shall not be used on any other work except by agreement with Aquatic Design Group, Inc. Written dimensions shall take preference over scaled dimensions and shall be verified on the job site. Any discrepancy shall be brought to the notice of Aquatic Design Group, Inc. prior to the commencement of any work.

LAS PALMAS MUNICIPAL POOL RENOVATION
 1800 EAST 22nd STREET
 NATIONAL CITY, CALIFORNIA 91950

PROJECT INFORMATION

REVISIONS

NO.	DATE	DESCRIPTION

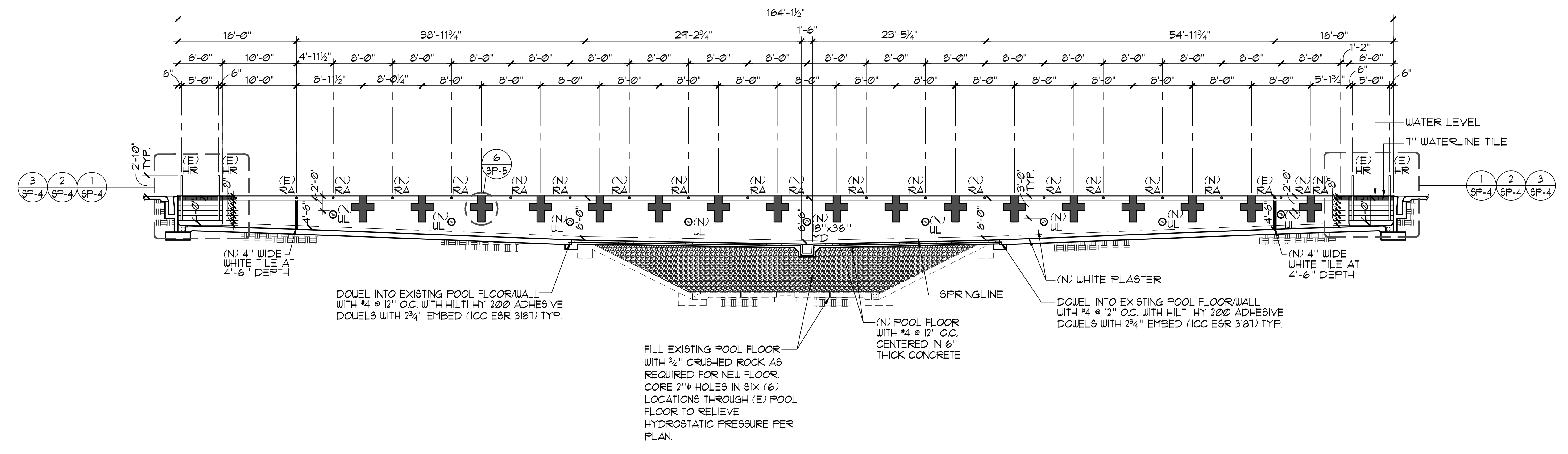


DRAWING TITLE
SWIMMING POOL SECTIONS

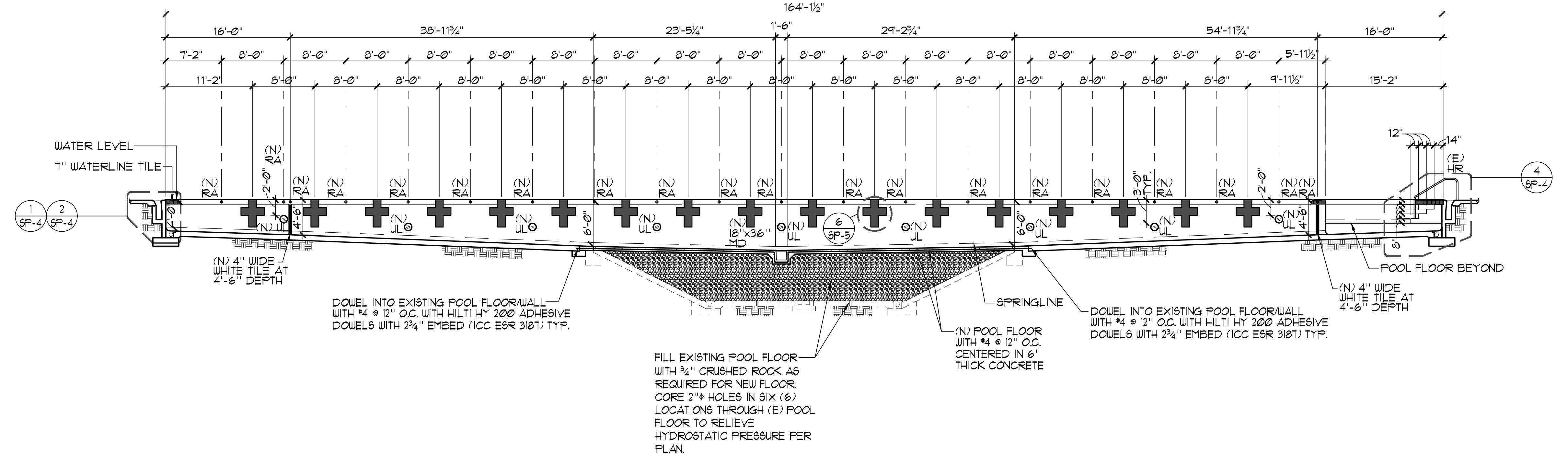


PROJECT NO. 2020-018
 DRAWN BY NMV
 CHECKED BY GSF
 DATE 11/30/2021

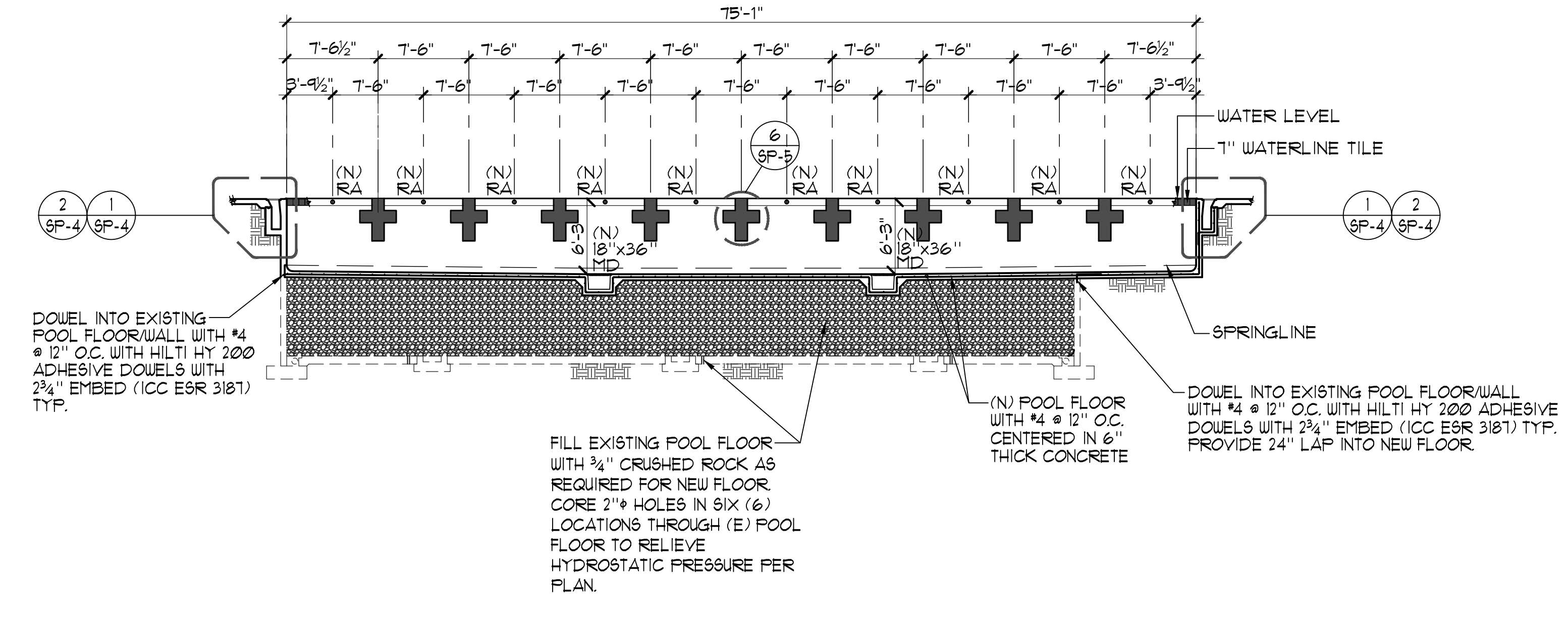
DRAWING NO.
SP-2



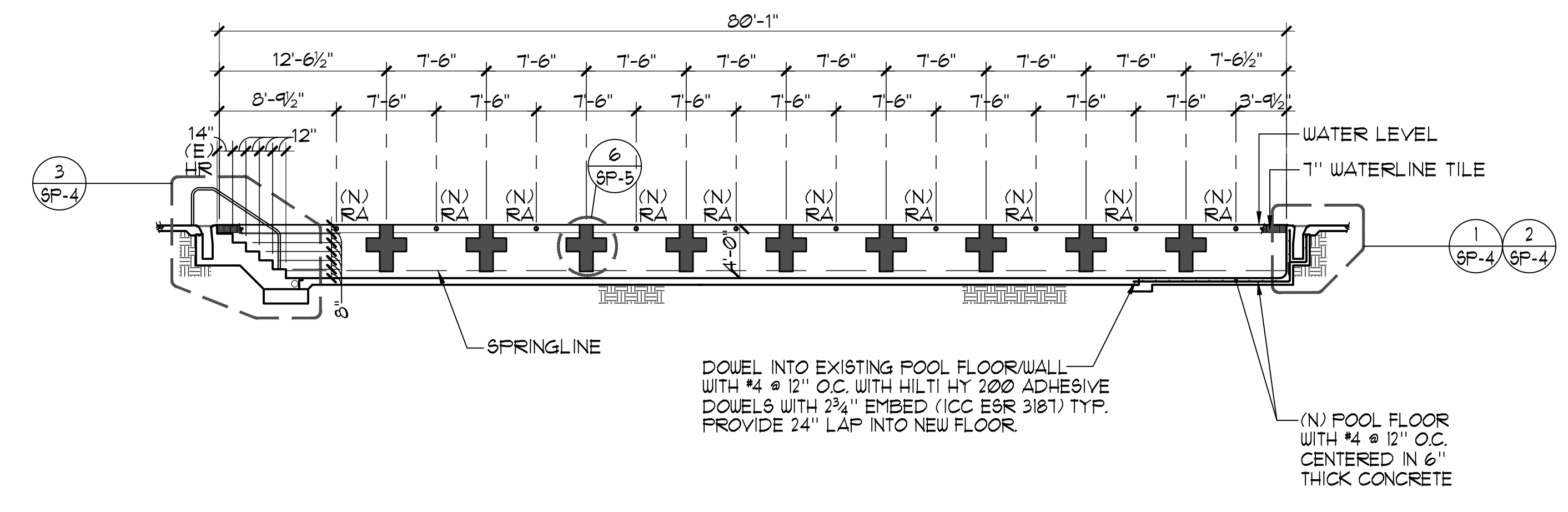
SWIMMING POOL SECTIONS 1/8"=1'-0"



SWIMMING POOL SECTIONS 1/8"=1'-0"



SWIMMING POOL SECTIONS 1/8"=1'-0"



SWIMMING POOL SECTIONS 1/8"=1'-0"

COPYRIGHT © 2021 AQUATIC DESIGN GROUP, INC. ALL RIGHTS RESERVED

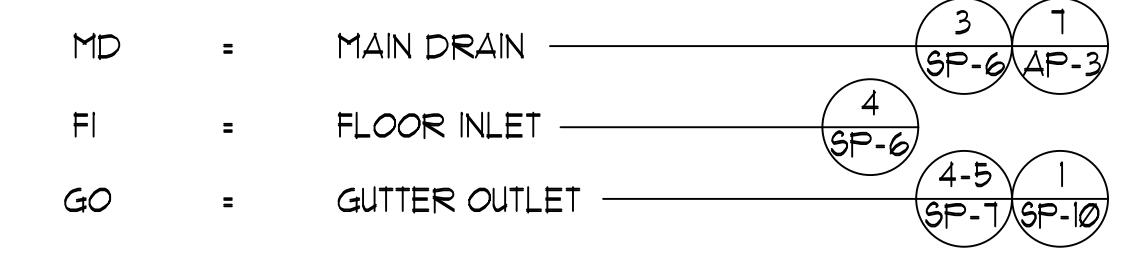
(N) SWIMMING POOL DATA

SURFACE AREA	=	12,458 SQ. FT.
PERIMETER	=	508 FT.
DEPTH	=	3'-0" TO 6'-6"
VOLUME	=	498,945 GAL.
6 HR TURNOVER	=	1385 GPM

(E) ACTIVITY POOL DATA

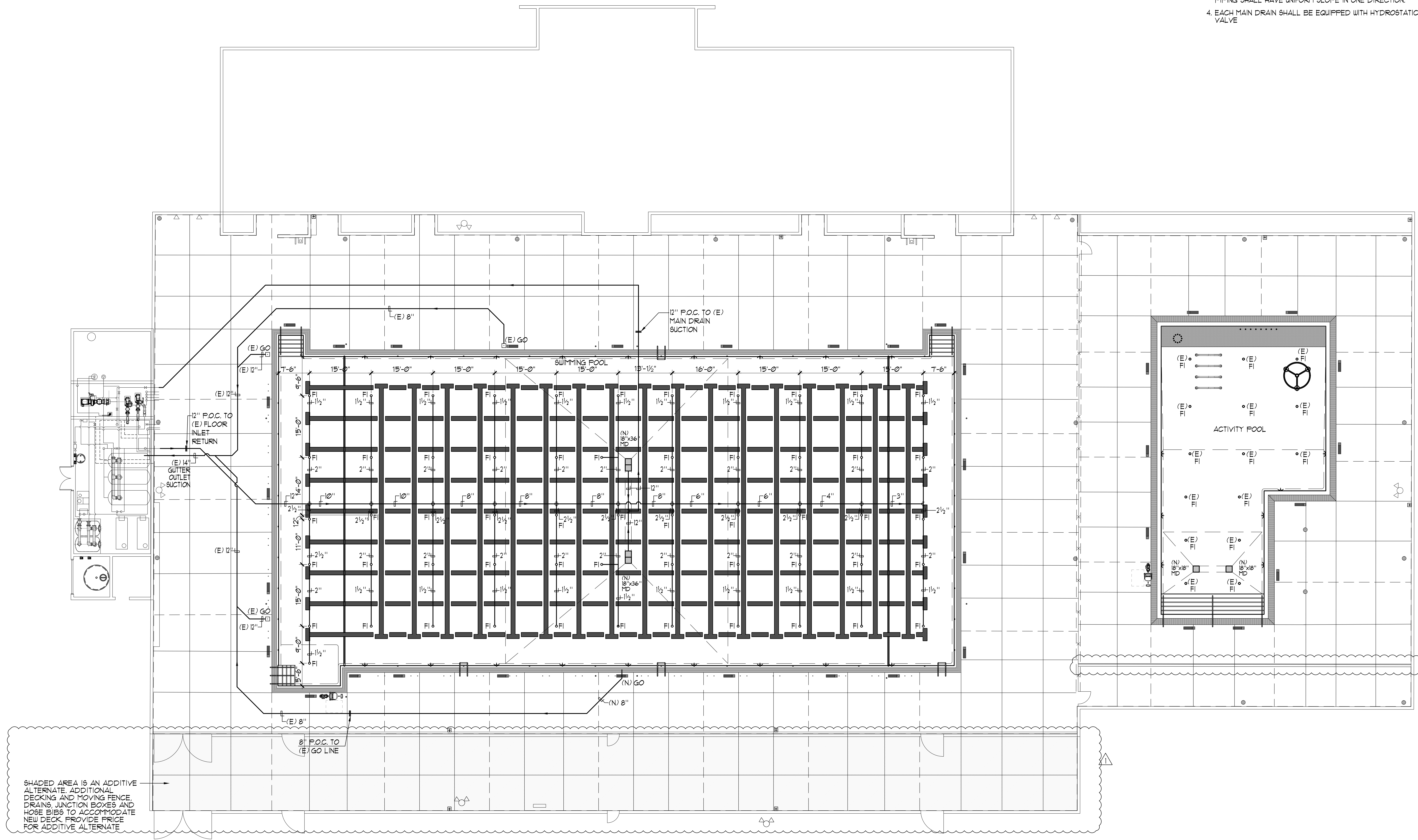
SURFACE AREA	=	2350 SQ. FT.
PERIMETER	=	220 FT.
DEPTH	=	0'-0" TO 3'-9"
VOLUME	=	37,000 GAL.
1.4 HR TURNOVER	=	450 GPM

LEGEND



NOTES:

1. PIPING ROUTES ARE SCHEMATIC IN NATURE AND SHOWN ON PLANS FOR CLARITY. CONTRACTOR SHALL DOCUMENT AND ROUTE PIPING ACCORDINGLY TO MEET NOTED INVERT ELEVATIONS OR EXISTING PIPING POINT OF CONNECTIONS. REFER TO REFERENCED DETAIL FOR PIPE SPACING REQUIREMENTS.
2. ALL BELOW GRADE POOL PIPING SHALL BE SCHEDULE 40 PVC AND ALL ABOVE GRADE POOL PIPING SHALL BE SCHEDULE 80 PVC.
3. COORDINATE ALL PIPING WITH SITE AND BUILDING UTILITIES INCLUDING PIPING CONDUITS / STRUCTURES AND THE LIKE. COORDINATE ROUTING OF PIPING THROUGH STRUCTURAL SLAB. ALL PIPING SHALL HAVE UNIFORM SLOPE IN ONE DIRECTION.
4. EACH MAIN DRAIN SHALL BE EQUIPPED WITH HYDROSTATIC RELIEF VALVE.



SHADED AREA IS AN ADDITIVE ALTERNATE. ADDITIONAL DECKING AND MOVING FENCE, DRAINS, JUNCTION BOXES AND HOSE BIBS TO ACCOMMODATE NEW DECK. PROVIDE PRICE FOR ADDITIVE ALTERNATE.



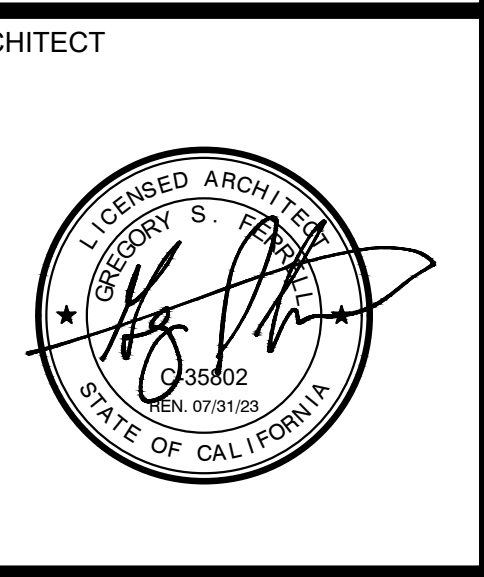
These drawings and specifications are the property and copyright of Aquatic Design Group, Inc. and shall not be used on any other work except by agreement with Aquatic Design Group, Inc. Written dimensions shall take preference over scaled dimensions and shall be verified on the job site. Any discrepancy shall be brought to the notice of Aquatic Design Group, Inc. prior to the commencement of any work.

PROJECT INFORMATION

LAS PALMAS MUNICIPAL POOL RENOVATION
 1800 EAST 22ND STREET
 NATIONAL CITY, CALIFORNIA 91950

REVISIONS

NO.	DATE	DESCRIPTION
1	1/11/22	ADDENDUM #1



DRAWING TITLE

SWIMMING POOL/
 ACTIVITY POOL
 DECK LAYOUT PLAN



PROJECT NO.	2020.018
DRAWN BY	NMV
CHECKED BY	GSF
DATE	11/30/2021

DRAWING NO.

SP-3

NEW SWIMMING POOL PIPING PLAN

1" = 10'-0"

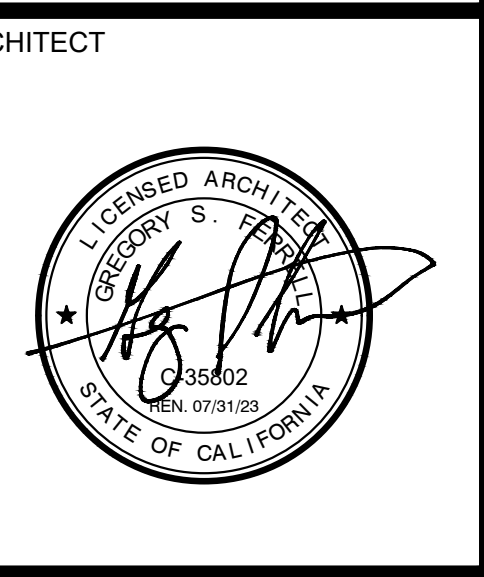
COPYRIGHT © 2021 AQUATIC DESIGN GROUP, INC. ALL RIGHTS RESERVED

These drawings and specifications are the property and copyright of Aquatic Design Group, Inc. and shall not be used on any other work except by agreement with Aquatic Design Group, Inc. Written dimensions shall take preference over scaled dimensions and shall be verified on the job site. Any discrepancy shall be brought to the notice of Aquatic Design Group, Inc. prior to the commencement of any work.

LAS PALMAS MUNICIPAL POOL RENOVATION
1800 EAST 22nd STREET
NATIONAL CITY, CALIFORNIA 91950

REVISIONS

NO.	DATE	DESCRIPTION
1	1/11/22	ADDENDUM #1



DRAWING TITLE
SWIMMING/ ACTIVITY POOL UNDERWATER LIGHT PLAN



PROJECT NO.	2020.018
DRAWN BY	NMV
CHECKED BY	GSF
DATE	11/30/2021

DRAWING NO.
SP-3.1

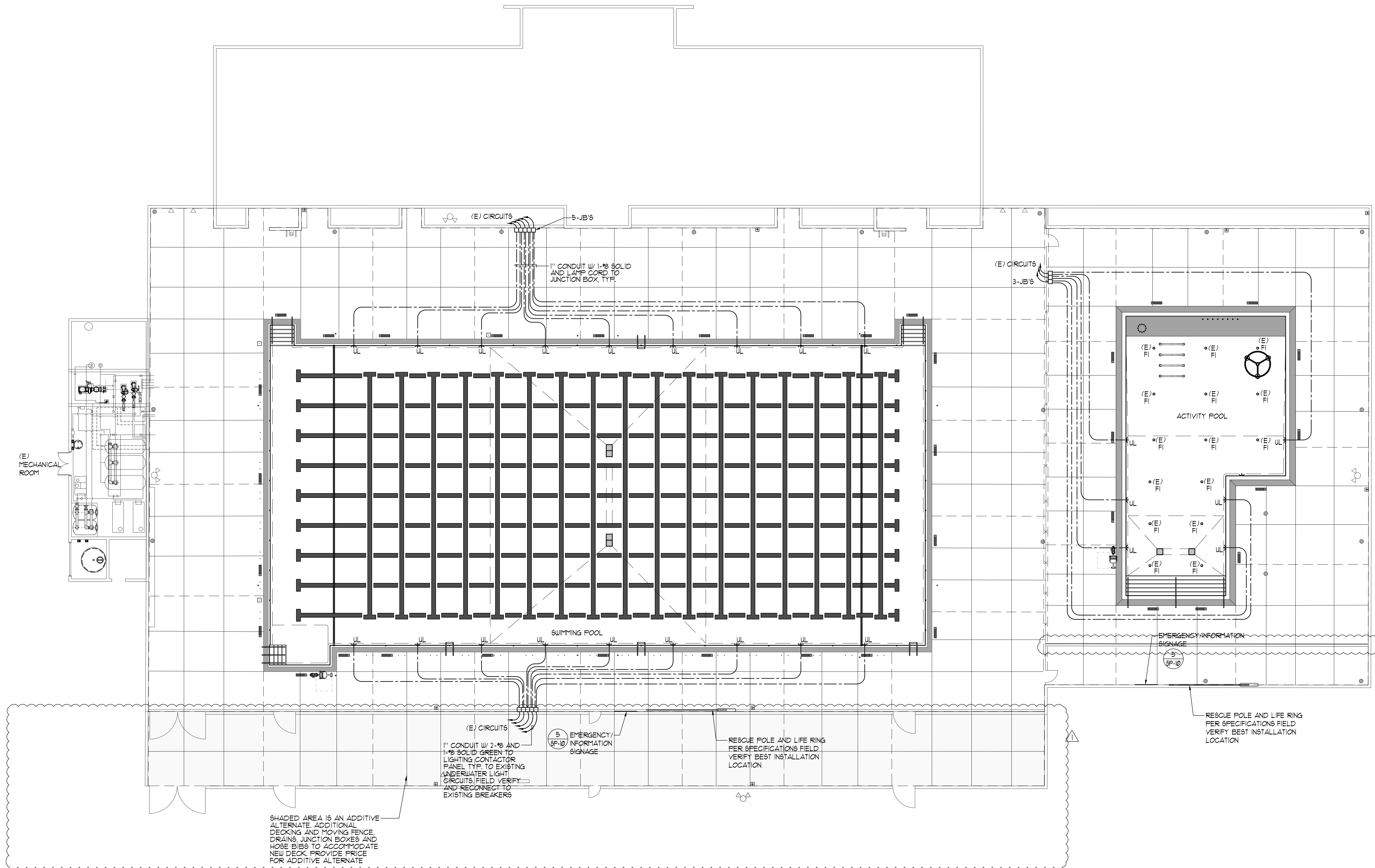
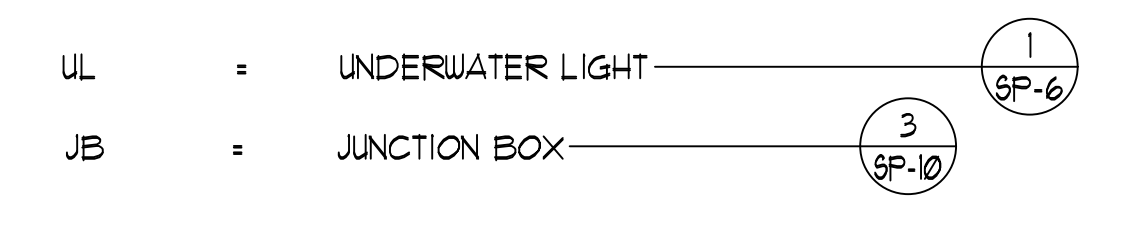
(N) SWIMMING POOL DATA

SURFACE AREA	=	12,450 SQ. FT.
PERIMETER	=	500 FT.
DEPTH	=	3'-0" TO 6'-6"
VOLUME	=	498,945 GAL.
6 HR TURNOVER	=	1385 GPM

(E) ACTIVITY POOL DATA

SURFACE AREA	=	2350 SQ. FT.
PERIMETER	=	220 FT.
DEPTH	=	0'-0" TO 3'-9"
VOLUME	=	37,000 GAL.
1.4 HR TURNOVER	=	450 GPM

LEGEND



SHADED AREA IS AN ADDITIVE ALTERNATE. ADDITIONAL DECKING AND MOVING FENCE, DRAINS, JUNCTION BOXES AND HOSE BIBS TO ACCOMMODATE NEW DECK. PROVIDE PRICE FOR ADDITIVE ALTERNATE

1" CONDUIT W/ 2-10 AND 1-10 SOLID GREEN TO LIGHTING CONTACTOR PANEL TYP. TO EXISTING UNDERWATER LIGHT CIRCUITS. FIELD VERIFY AND RECONNECT TO EXISTING BREAKERS

5 EMERGENCY/INFORMATION SIGNAGE

RESCUE POLE AND LIFE RING PER SPECIFICATIONS FIELD VERIFY BEST INSTALLATION LOCATION

RESCUE POLE AND LIFE RING PER SPECIFICATIONS FIELD VERIFY BEST INSTALLATION LOCATION

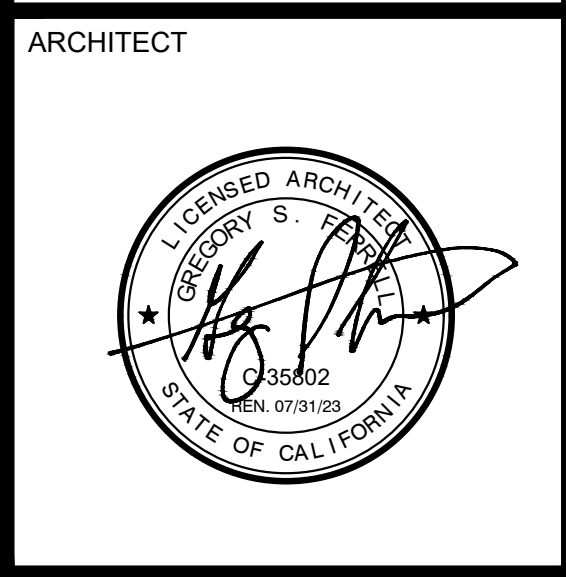
SWIMMING/ACTIVITY POOL UNDERWATER LIGHT PLAN 1"=10'-0"

These drawings and specifications are the property and copyright of Aquatic Design Group, Inc. and shall not be used on any other work except by agreement with Aquatic Design Group, Inc. Written dimensions shall take preference over scaled dimensions and shall be verified on the job site. Any discrepancy shall be brought to the notice of Aquatic Design Group, Inc. prior to the commencement of any work.

LAS PALMAS MUNICIPAL POOL RENOVATION
1800 EAST 22ND STREET
NATIONAL CITY, CALIFORNIA 91950

REVISIONS

NO.	DATE	DESCRIPTION

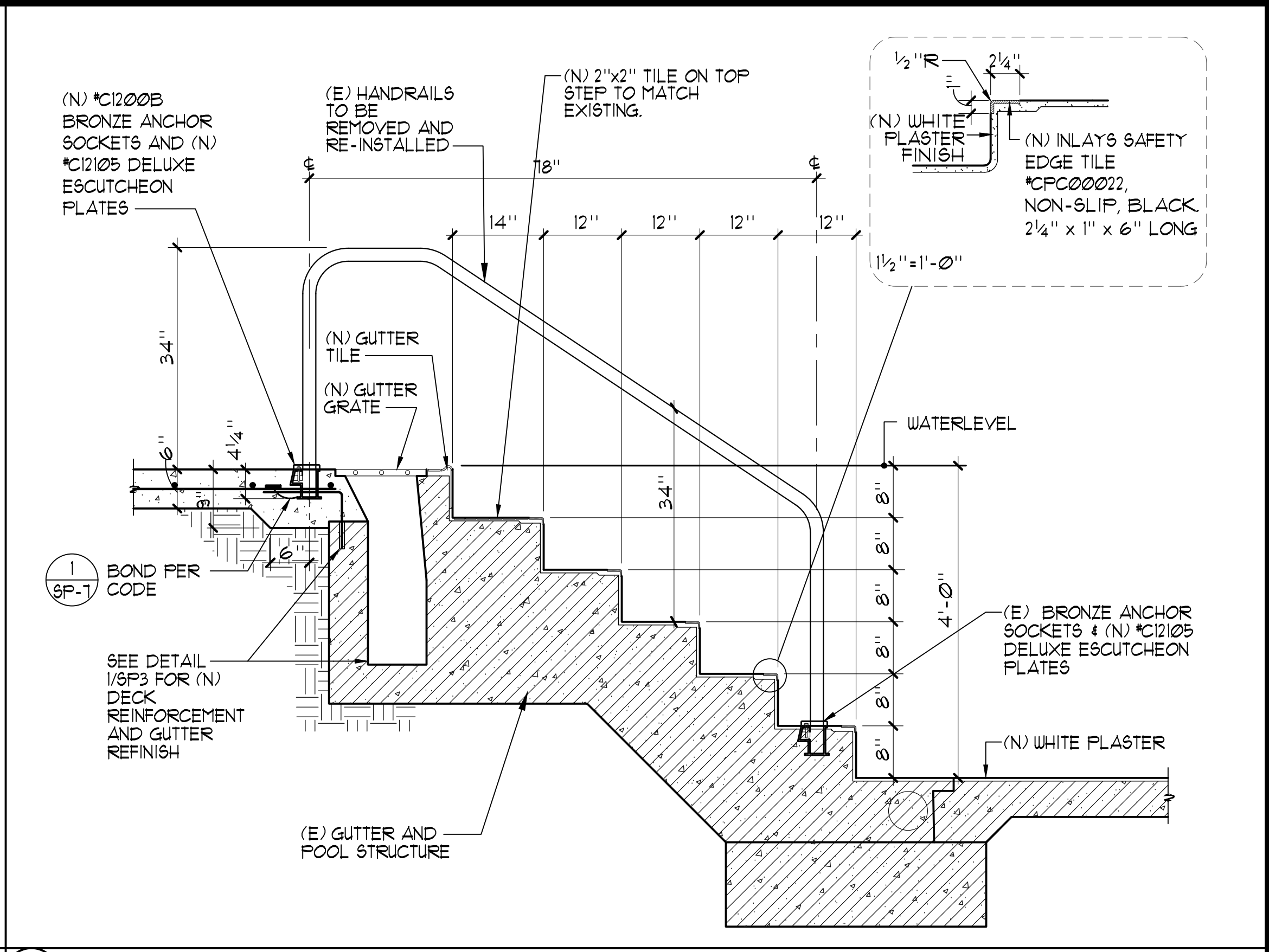


DRAWING TITLE
DETAILS

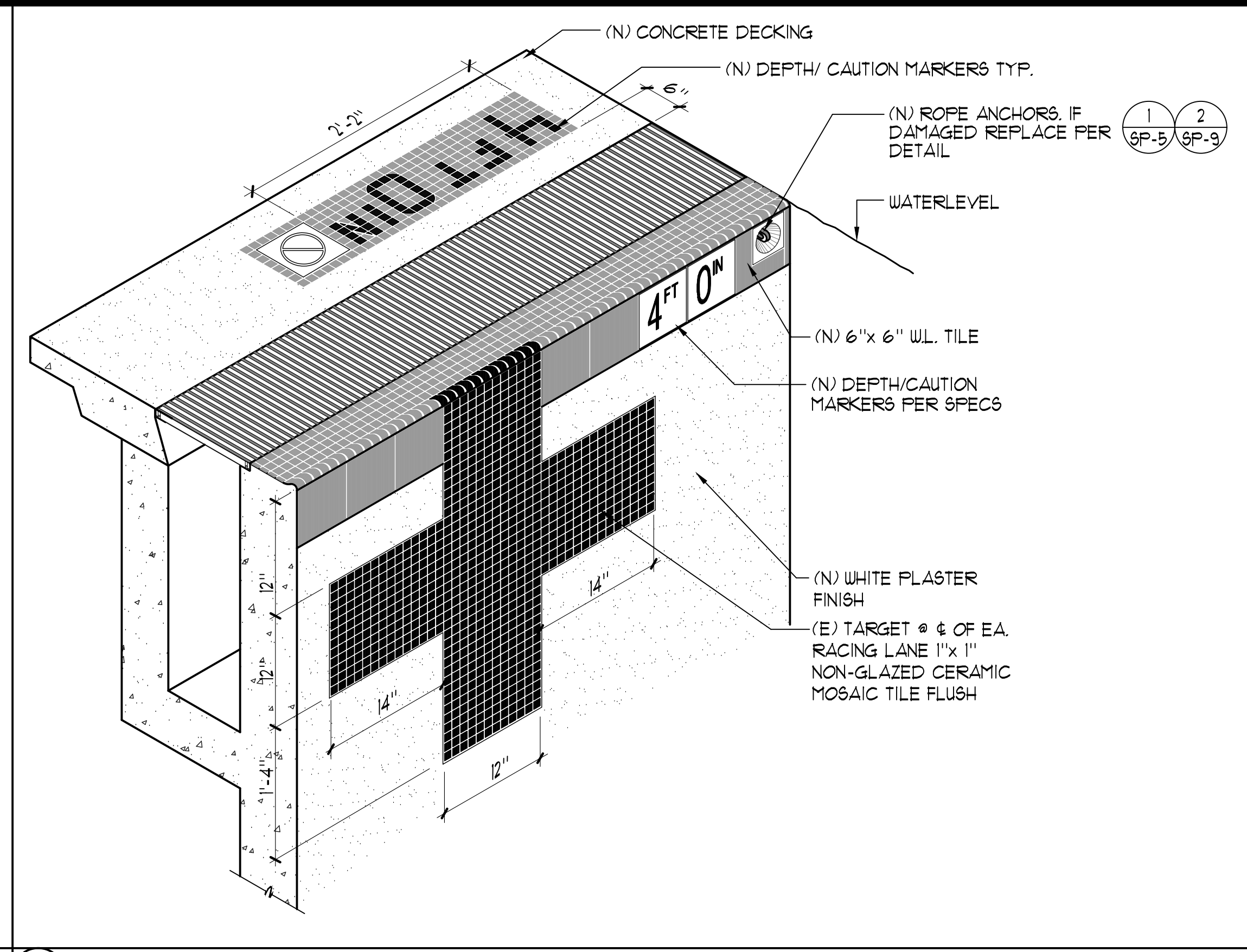
NATIONAL CITY
1337 INCORPORATED

PROJECT NO. 2020.018
DRAWN BY NMV
CHECKED BY GSF
DATE 11/30/2021

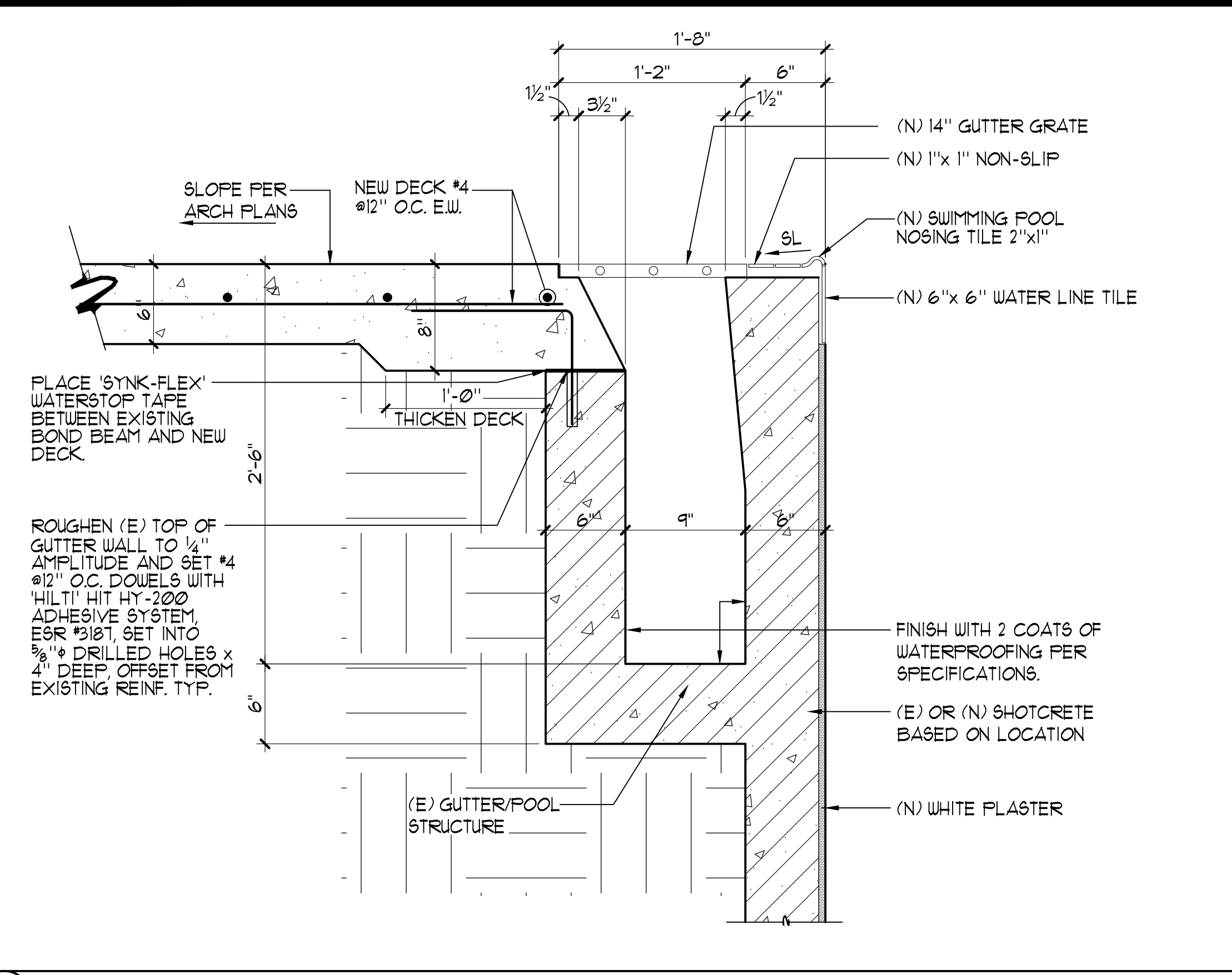
DRAWING NO.
SP-4



3 SWIMMING POOL HANDRAIL DETAIL 3/4"=1'-0"



2 SWIMMING POOL RIM FLOW GUTTER PERSPECTIVE NO SCALE



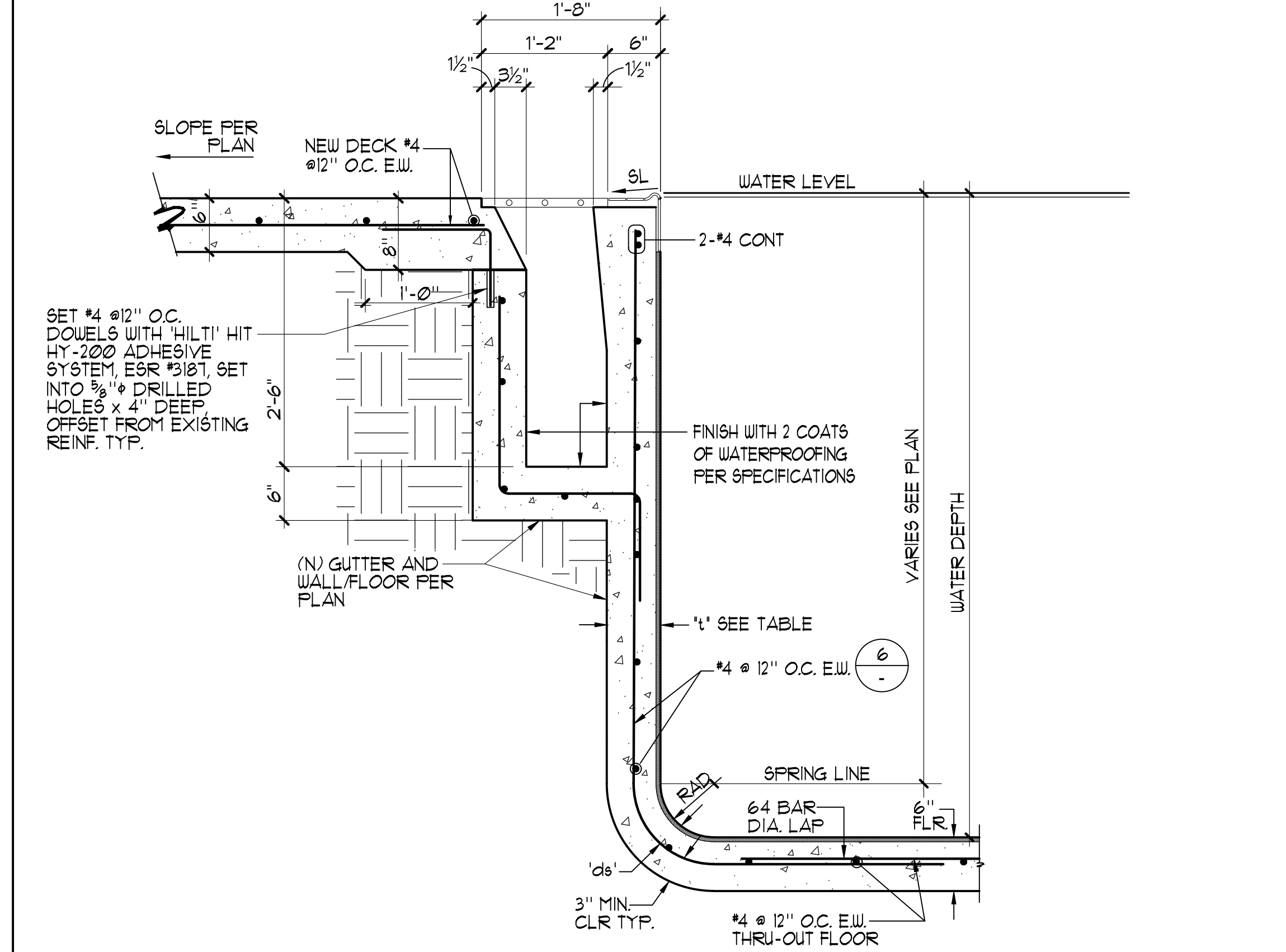
1 SWIMMING POOL RIM FLOW GUTTER 1 1/2"=1'-0"

REINFORCEMENT TABLE

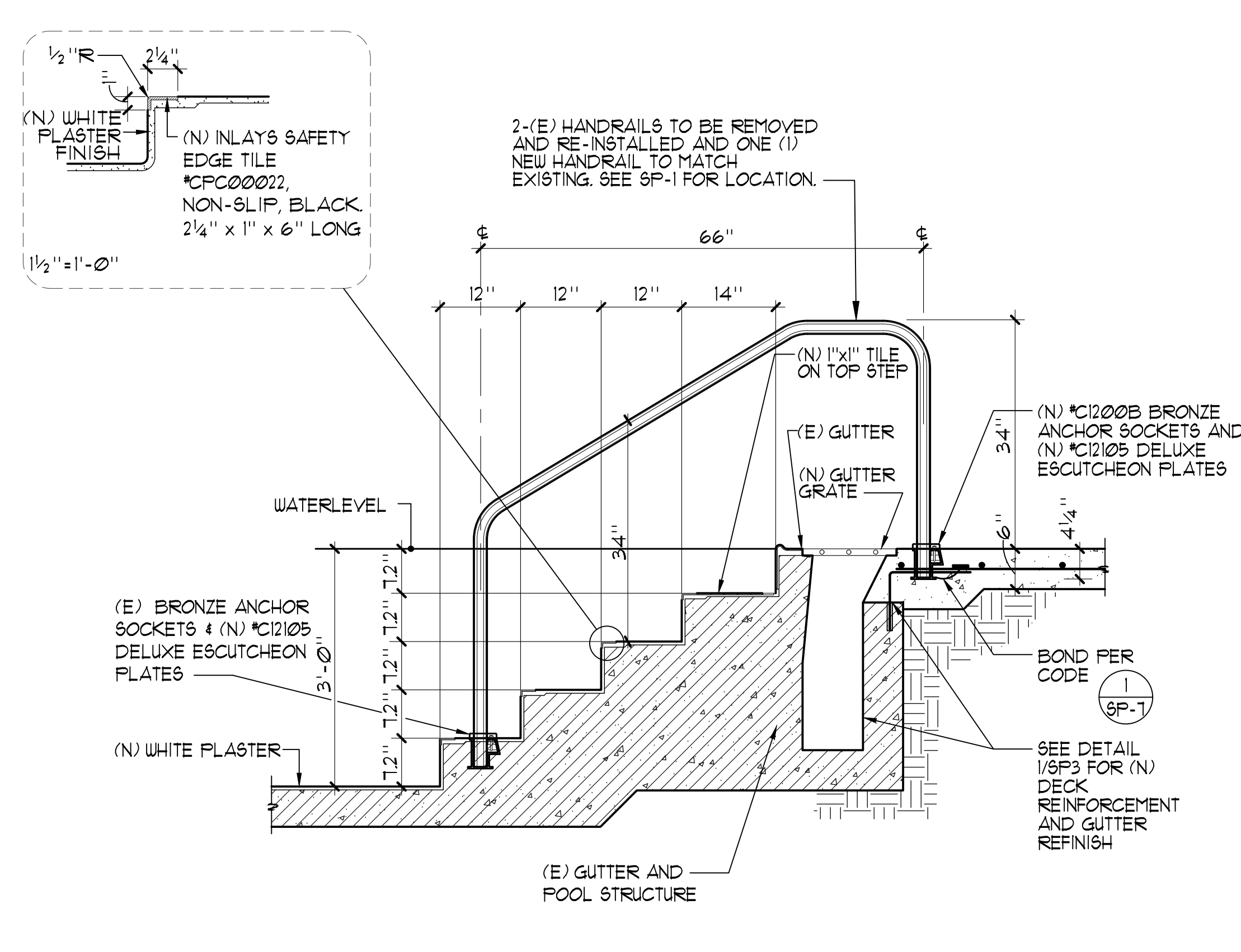
WATER DEPTH	1'	1.5'	RADIUS	VERTICAL REINF.	HORIZONTAL REINF.	TRANSITION TO FLOOR REINF. BEYOND END RADIUS
4'-0" TO 6'-6"	6"	3"	6"	#4 @ 12" O.C.	#4 @ 12" O.C.	24"

- CONCRETE NOTES:
- THE MINIMUM ULTIMATE COMPRESSIVE STRENGTH AT 28 DAYS WITH A 0.40-0.50 WATER/CEMENT RATIO
POOL = 4000 PSI
SLAB-ON-GRADE = 4000 PSI
 - CONTINUOUS INSPECTION BY AN APPROVED INSPECTOR IS REQUIRED OF ALL CONCRETE PLACEMENT.
 - ALL CEMENT USED SHALL CONFORM TO A.S.T.M. C-150 TYPE II
 - FINE AND COARSE AGGREGATE SHALL CONFORM TO A.S.T.M. C-33. MAXIMUM SIZE OF AGGREGATE TO BE 1".
 - CONCRETE MIX DESIGNS SHALL BE BASED UPON CBC SECTION 1909.
 - CONCRETE SHALL BE TESTED AND INSPECTED PER SECTION CBC 1909.3 AND 1909.
 - REMOVAL OF FORMS SHALL COMPLY WITH CBC SECTION 1909.
 - ALL REINFORCING SHALL BE ASTM A-615, GRADE 60, UNLESS OTHERWISE NOTED. LAPS SHALL BE 64 BAR DIA.
- SHOTCRETE NOTES:
- SHOTCRETE SHALL HAVE A MINIMUM COMPRESSIVE STRENGTH OF 4000 PSI AT 28 DAYS. SHOTCRETE MATERIAL SHALL HAVE A WATER/CEMENT RATIO OF 0.40-0.50 PER ACI 906R, CHAPTER 6, PROPORTIONING AND PRECONSTRUCTION TESTING, SECTION 6.3.3, WET-MIX PROCESS.
 - CONTINUOUS INSPECTION BY AN APPROVED INSPECTOR IS REQUIRED OF ALL SHOTCRETE PLACEMENT.
 - ALL CEMENT USED SHALL CONFORM TO A.S.T.M. C-150 TYPE II
 - FINE AND COARSE AGGREGATE SHALL CONFORM TO A.S.T.M. C-33. MAXIMUM SIZE OF AGGREGATE TO BE 3/8".
 - SHOTCRETE MIX DESIGNS SHALL BE PER CBC SECTION 1909.2.
 - SHOTCRETE SHALL BE TESTED AND INSPECTED PER CBC SECTION 1909.5 AND 1909.10 AND 1909.3.
 - ANCHOR BOLTS, ANCHORS, DOUELS, INSERTS, ETC. SHALL BE SECURELY TIED IN PLACE PRIOR TO PLACING OF SHOTCRETE.
 - ALL REINFORCEMENT WITHIN SHOTCRETE SHALL MAINTAIN MINIMUM 2" CLEAR NON-CONTACT SPLICES.
 - THE FILM OF LAITANCE WHICH FORMS ON THE SURFACE OF THE SHOTCRETE SHALL BE REMOVED WITHIN APPROXIMATELY TWO HOURS AFTER APPLICATION BY BRUSHING WITH A STIFF BRUSH. IF THIS IS NOT REMOVED WITHIN TWO HOURS, IT SHALL BE REMOVED BY THOROUGH WIRE BRUSHING OR SAND BLASTING. CONSTRUCTION JOINTS OVER EIGHT HOURS OLD SHALL BE THOROUGHLY CLEANED WITH AIR AND WATER PRIOR TO RECEIVING SHOTCRETE.
 - ALL REINFORCING SHALL BE ASTM A-615, GRADE 60, UNLESS OTHERWISE NOTED. LAPS SHALL BE 64 BAR DIA.

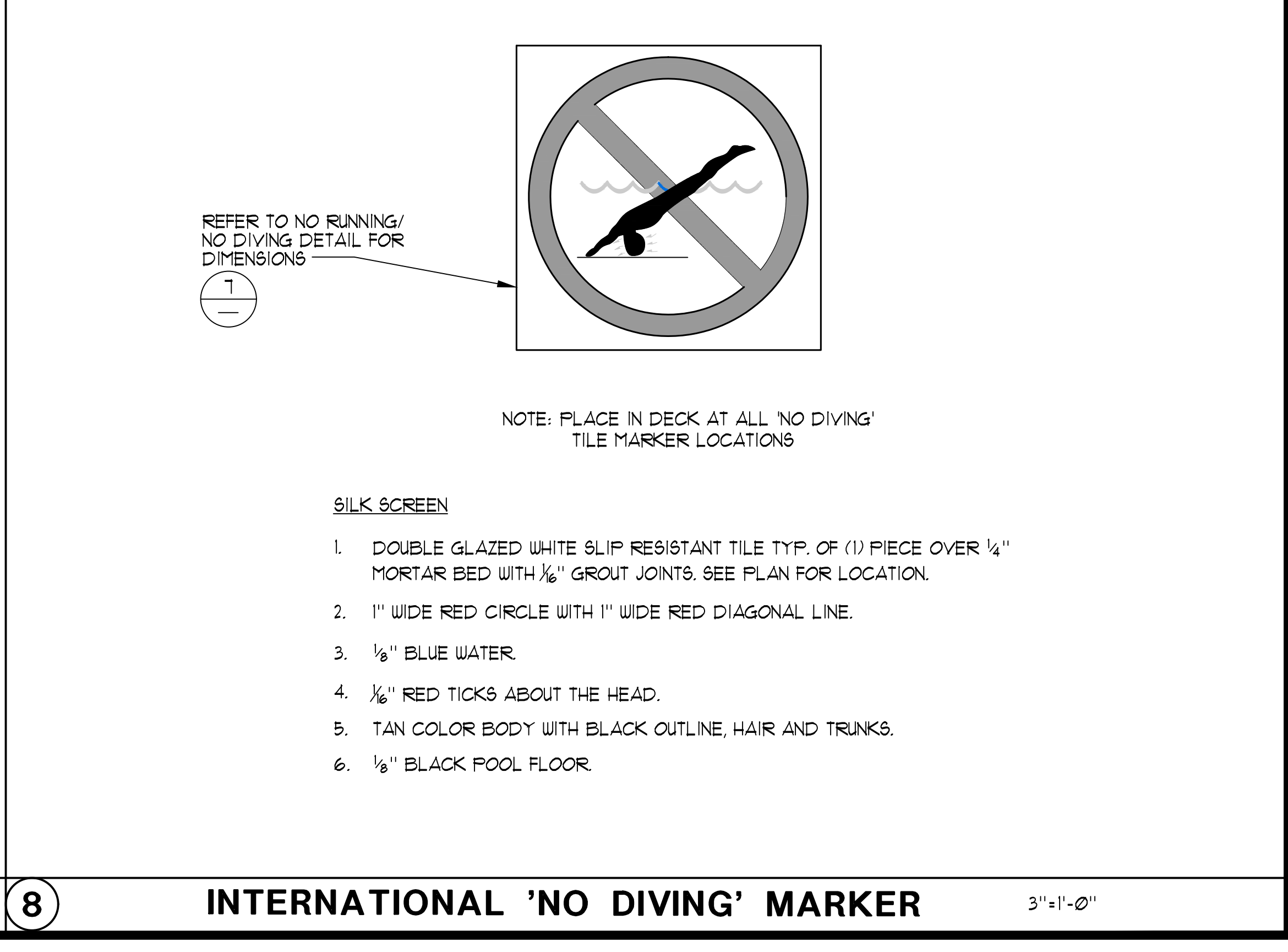
6 REINFORCEMENT TABLE



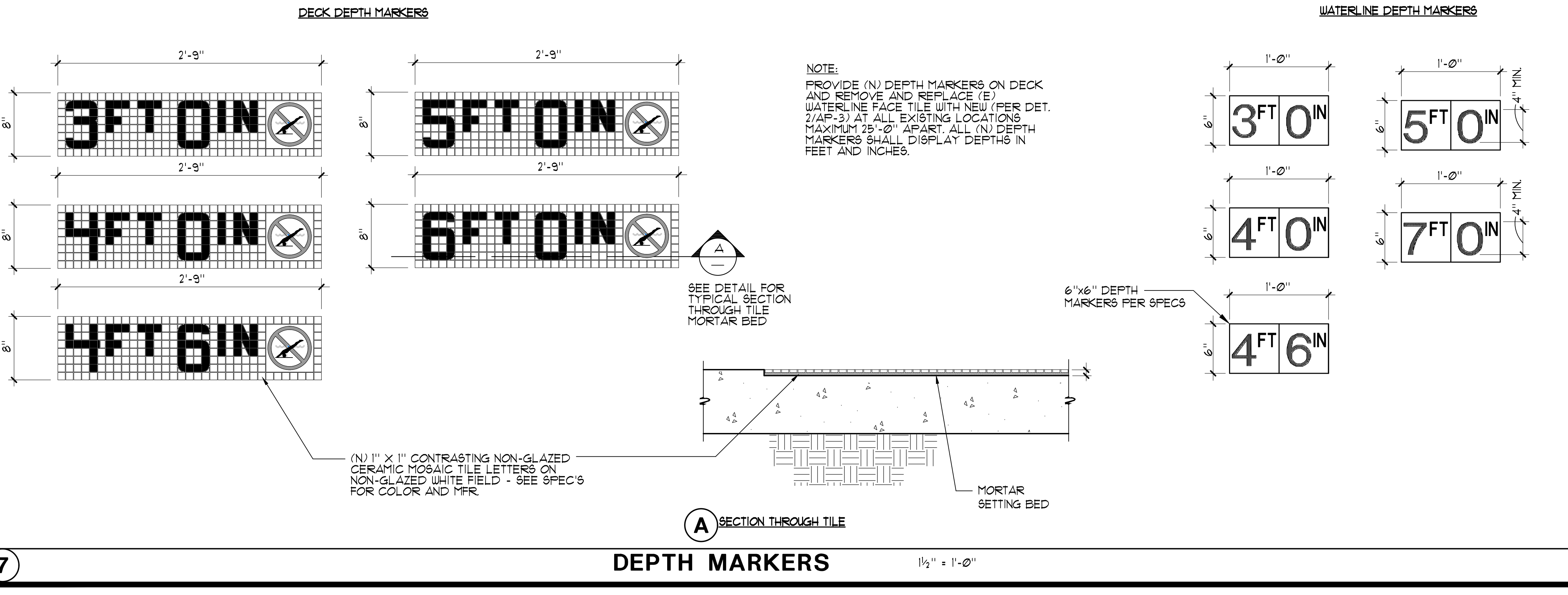
5 NEW SWIMMING POOL GUTTER/WALL 1"=1'-0"



4 SWIMMING POOL HANDRAIL DETAIL 3/4"=1'-0"



8 INTERNATIONAL 'NO DIVING' MARKER 3"=1'-0"



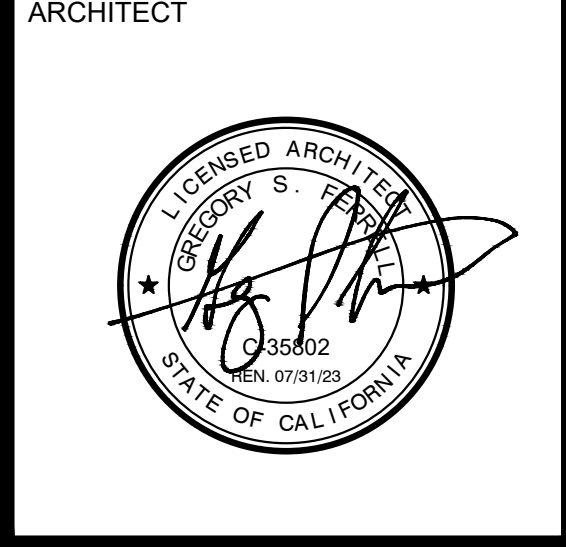
7 DEPTH MARKERS 1 1/2"=1'-0"

These drawings and specifications are the property and copyright of Aquatic Design Group, Inc. and shall not be used on any other work except by agreement with Aquatic Design Group, Inc. Written dimensions shall take preference over scaled dimensions and shall be verified on the job site. Any discrepancy shall be brought to the notice of Aquatic Design Group, Inc. prior to the commencement of any work.

LAS PALMAS MUNICIPAL POOL RENOVATION
1800 EAST 22ND STREET
NATIONAL CITY, CALIFORNIA 91950

REVISIONS

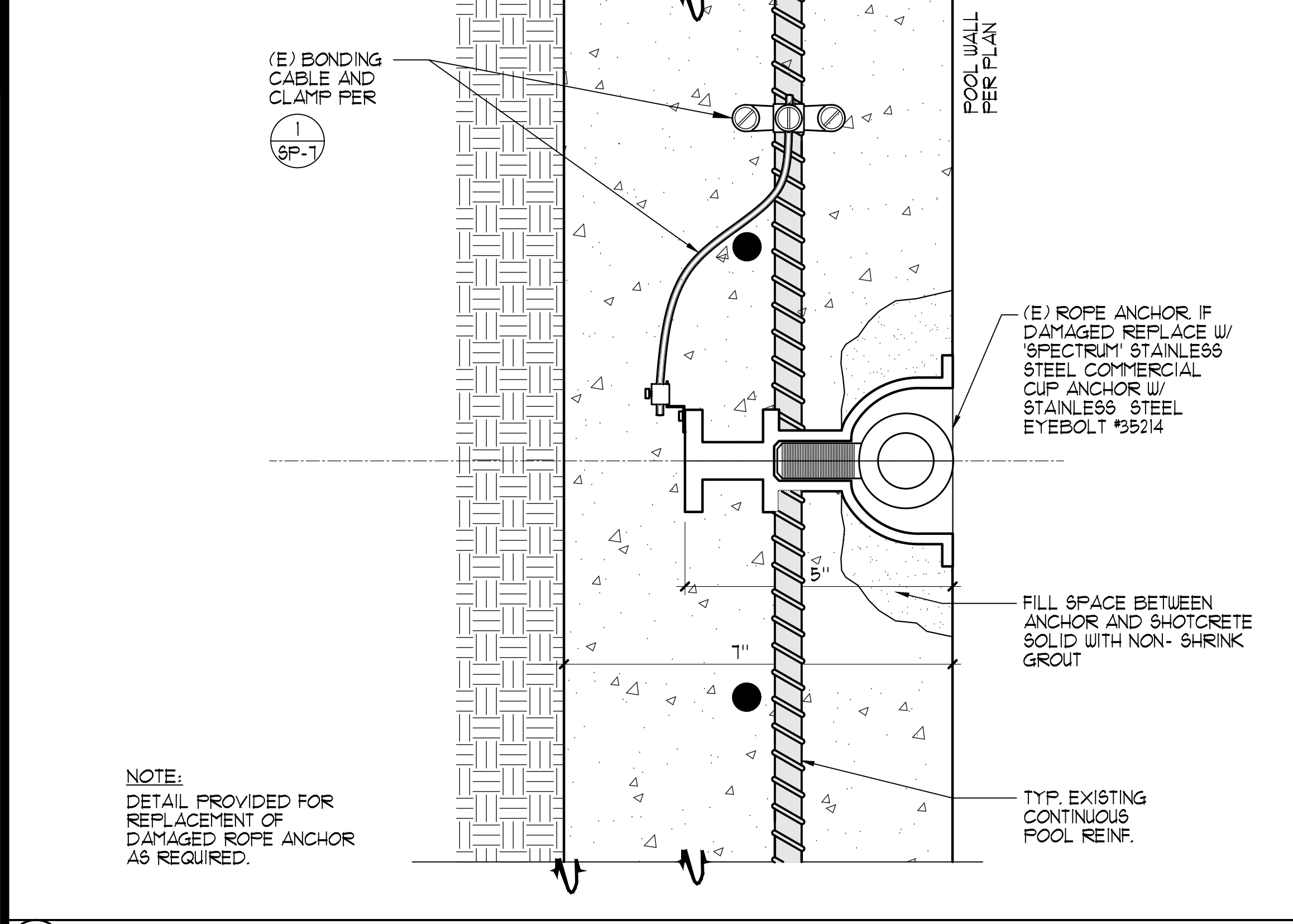
NO.	DATE	DESCRIPTION



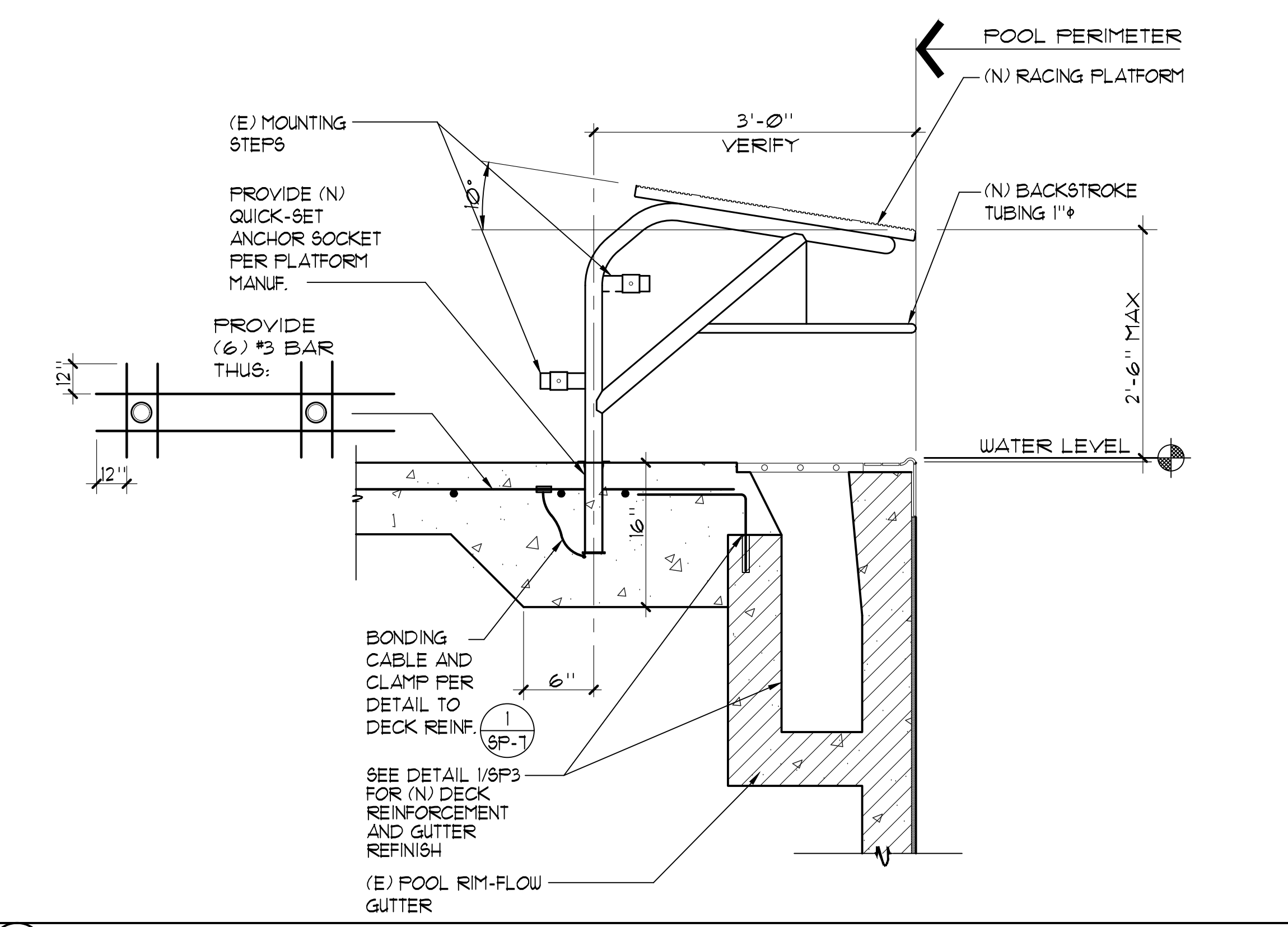
DRAWING TITLE
DETAILS

NATIONAL CITY
1837 INCORPORATED

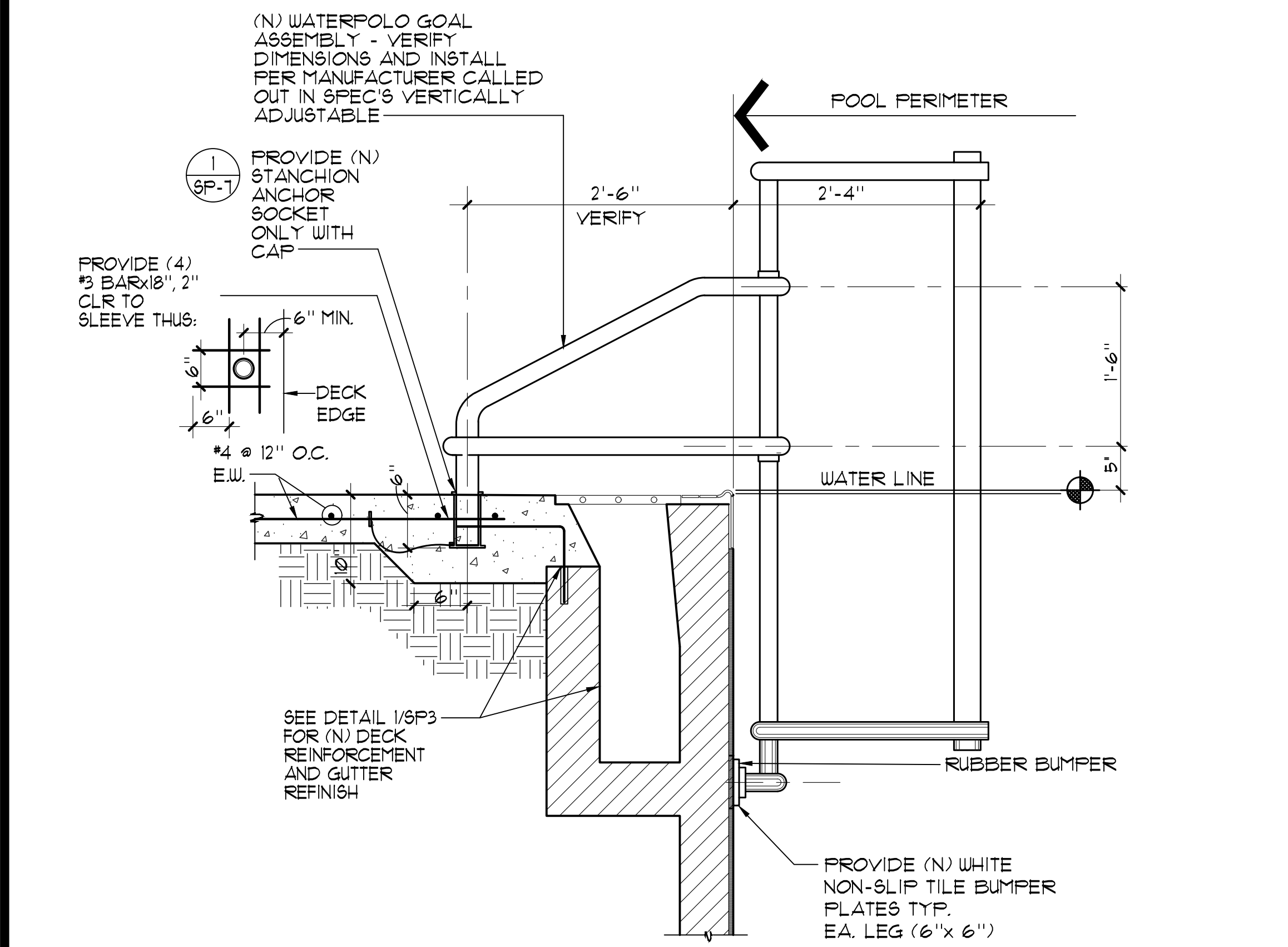
PROJECT NO. 2020.018
DRAWN BY NMV
CHECKED BY GSF
DATE 11/30/2021
DRAWING NO. **SP-5**



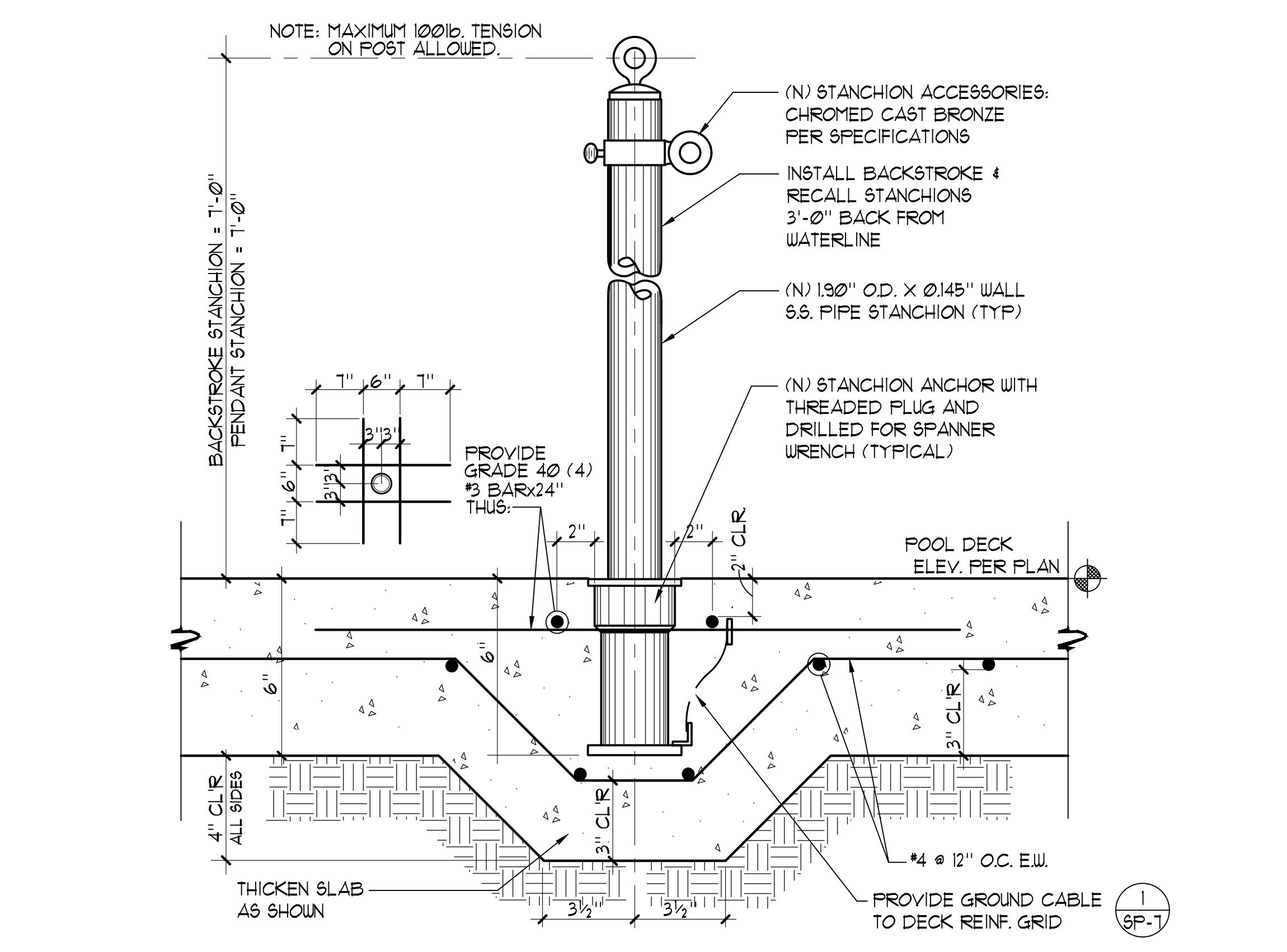
1 CUP ANCHOR 1/2" = 1"



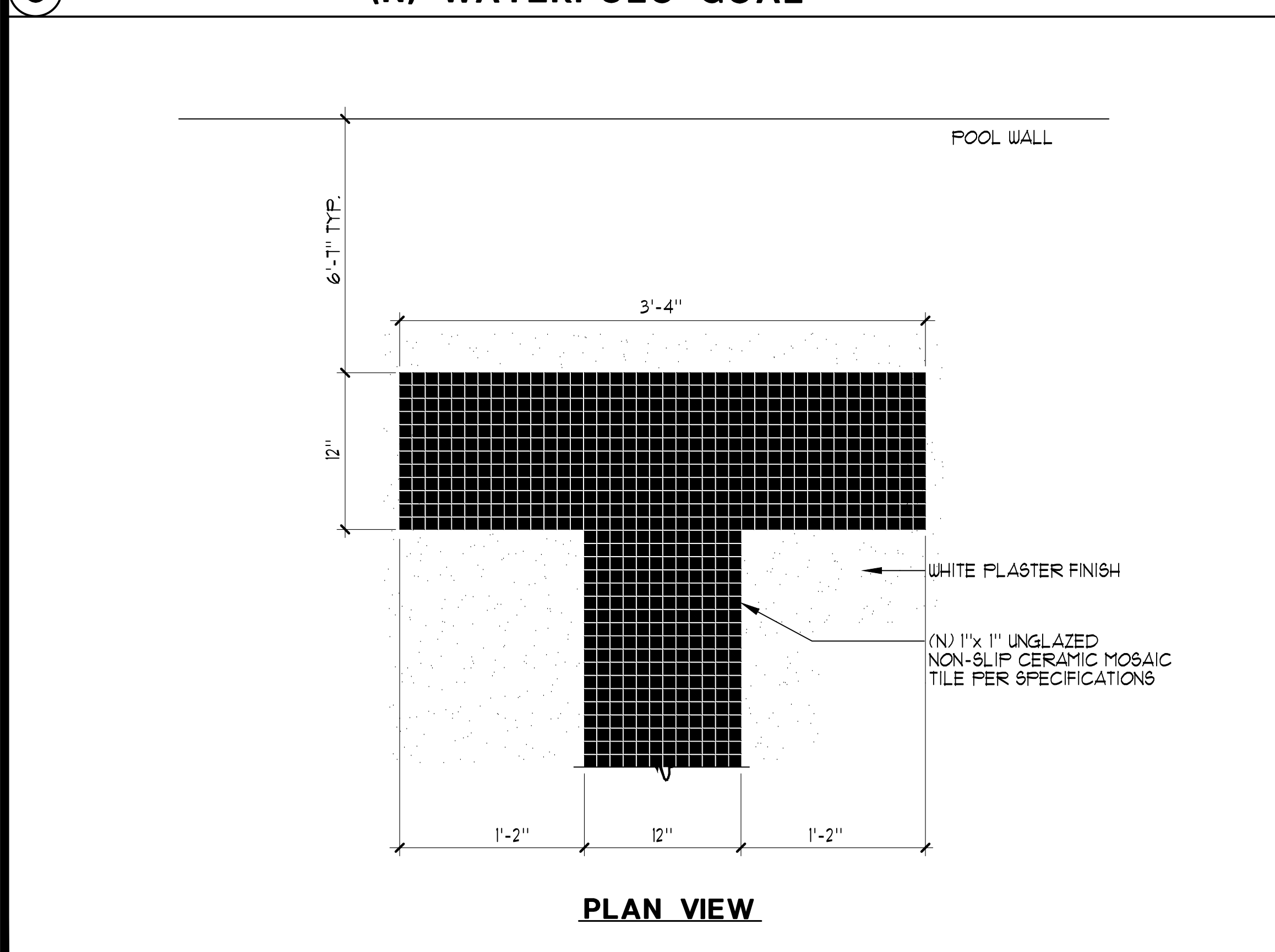
2 (N) RACING PLATFORM 1" = 1'-0"



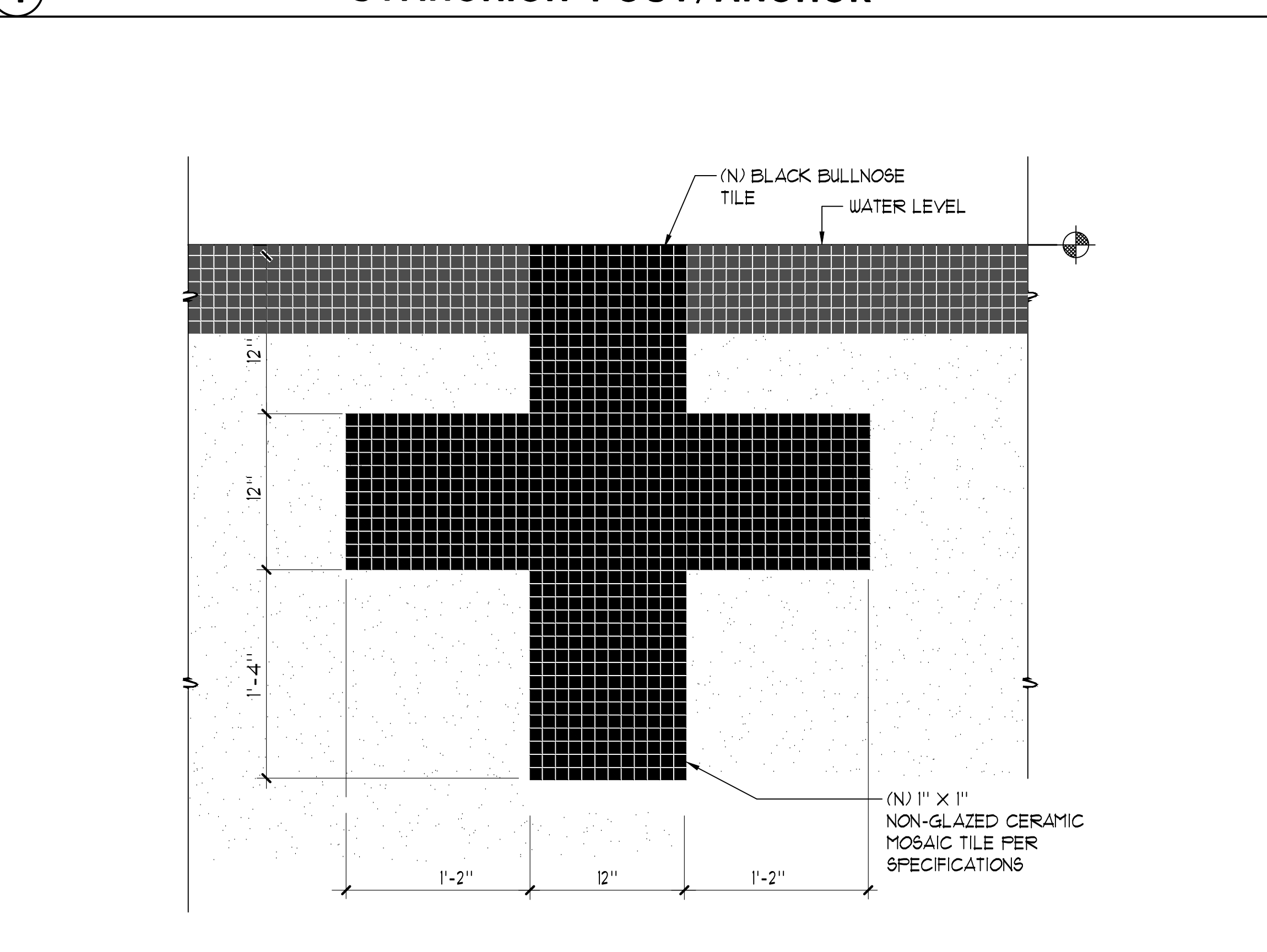
3 (N) WATERPOLO GOAL 1" = 1'-0"



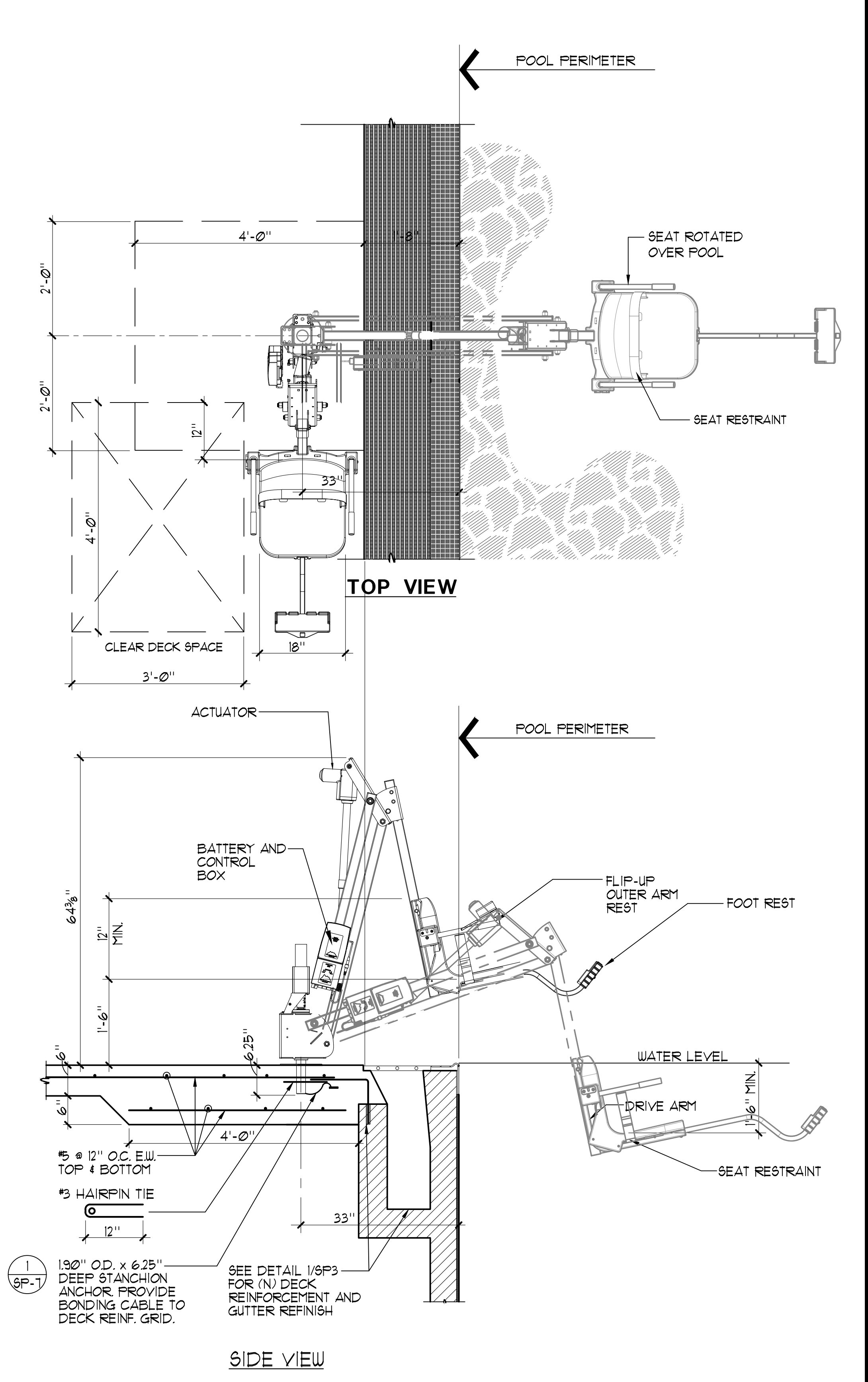
4 STANCHION POST/ANCHOR 3" = 1'-0"



5 SWIMMING POOL RACING LANE LINE 3" = 1'-0"

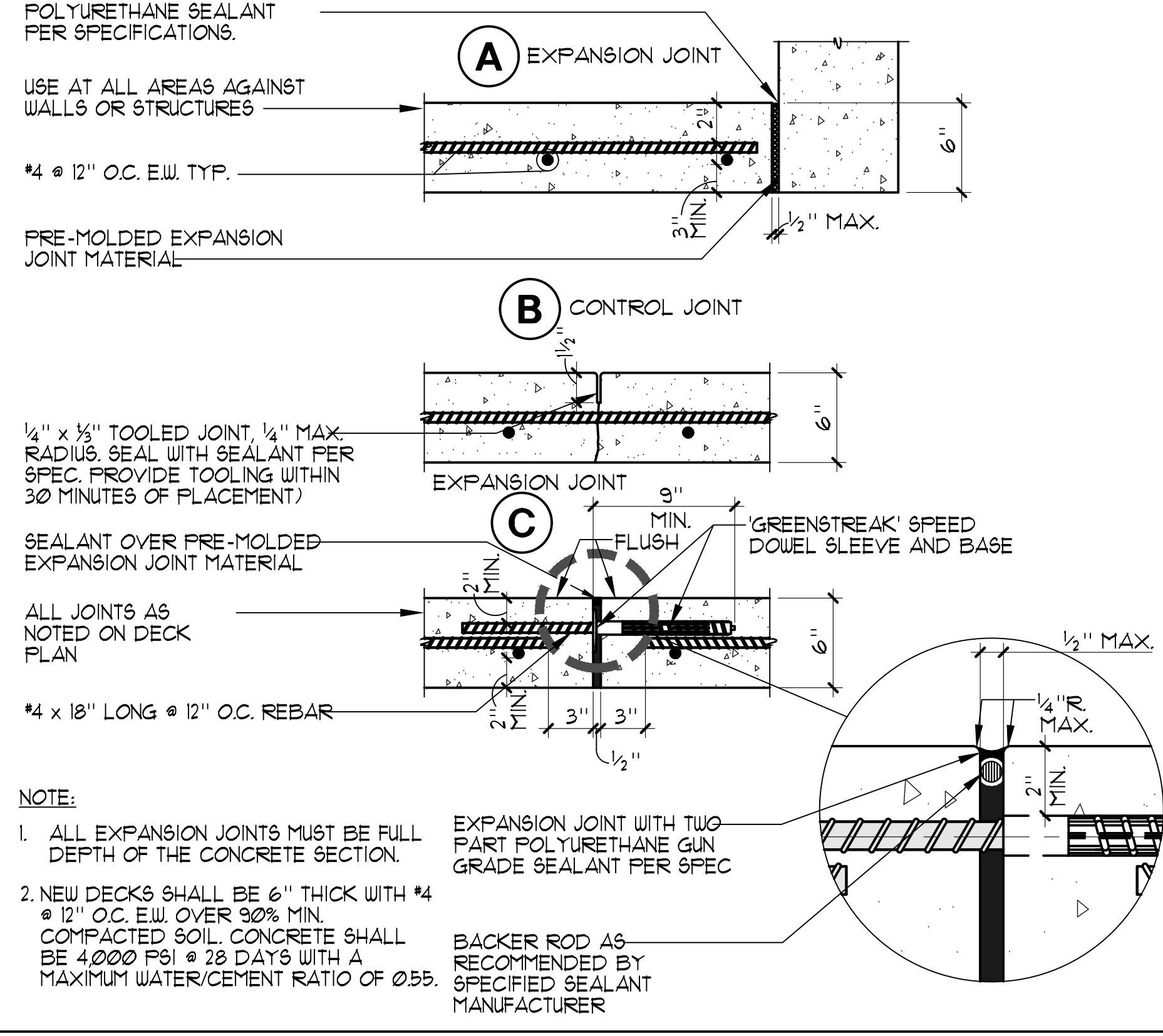
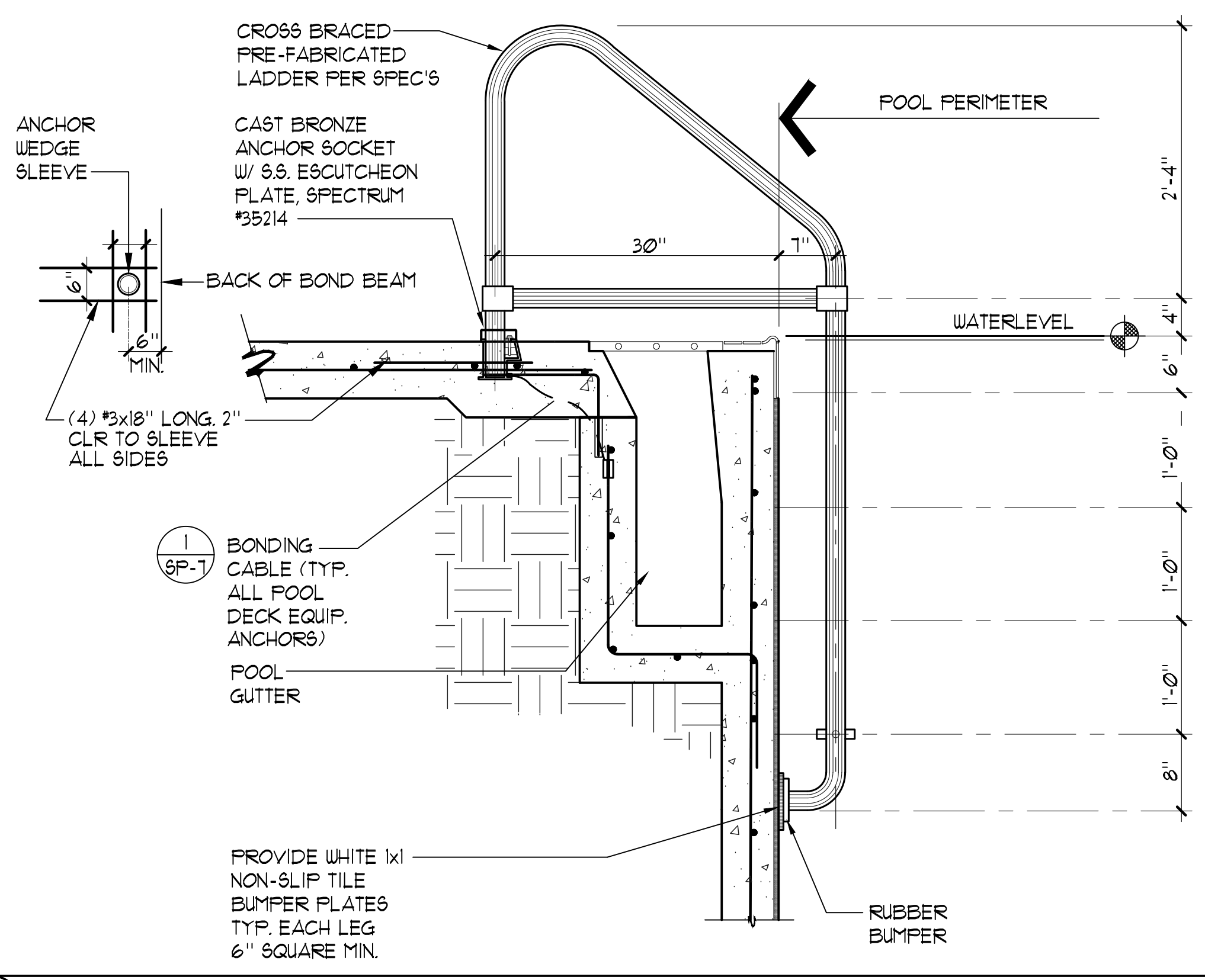


6 SWIMMING POOL END WALL TARGET 1/2" = 1'-0"



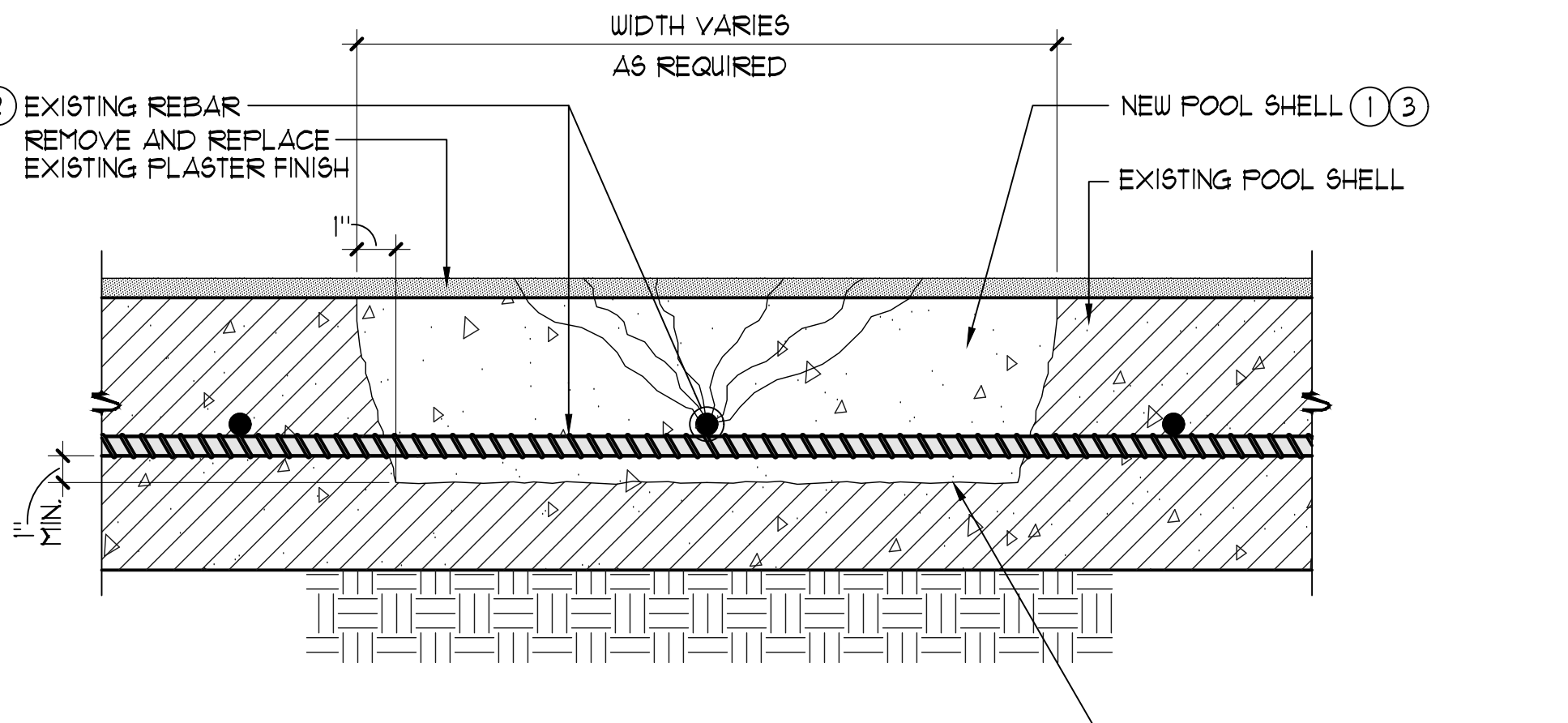
- NOTES:**
- 'AQUA CREEK' MIGHTY 400 F-MTY-400 (350 lb. MIN. AND 400 lb. MAX. LIFTING CAPACITY)
 - GUSSET COVER PLATE TO BE ATTACHED REQUIRING A TOOL FOR REMOVAL.
 - CONTRACTOR SHALL PROVIDE COVER FOR LIFT 'AQUA CREEK'; EXTRA BATTERY PACK 'AQUA CREEK' F-004AB; AND TRANSPORTER CART 'AQUA CREEK' F-MTC.
 - REFER TO ARCH. PLANS FOR LOCATION OF DISABLED LIFT BATTERY CHARGE STATION. PROVIDE 'AQUA CREEK' CHARGER * F-044CH.
 - POOL LIFT SHALL BE LOCATED WHERE THE WATER LEVEL IS AT LEAST 36" AND DOES NOT EXCEED 48" DEEP, UNLESS ENTIRE POOL IS GREATER THAN 48" DEEP. (CBC SECTION 11B-10092.1)
 - ON THE RAISED POSITION, THE CENTERLINE OF THE SEAT SHALL BE LOCATED OVER THE DECK AND 16" MINIMUM FROM THE EDGE OF THE POOL. THE DECK SURFACE BETWEEN THE CENTERLINE OF THE SEAT AND THE POOL EDGE SHALL HAVE A 2% MAX. SLOPE. (CBC SECTION 11B-10092.2)
 - CLEAR DECK SPACE SHALL BE PROVIDED ON SIDE OF SEAT OPPOSITE THE WATER PARALLEL TO THE WATER 36" WIDE x 48" MINIMUM FROM A LINE LOCATED 12" BEHIND THE REAR EDGE OF THE SEAT. THE CLEAR SPACE SHALL HAVE A 2% MAX. SLOPE. (CBC SECTION 11B-10092.3)
 - THE HEIGHT OF THE LIFT SEAT SHALL BE DESIGNED TO ALLOW A STOP AT 17" MIN. TO 19" MAX. MEASURED FROM THE DECK TO THE TOP OF THE SEAT SURFACE WHEN IN THE RAISED POSITION. (CBC SECTION 11B-10092.4)
 - THE SEAT SHALL BE RIGID AND 17" MIN. TO 19" MAX. WIDE. THE LIFT SEAT SHALL HAVE A BACK SUPPORT 12" MIN. TALL. (CBC SECTION 11B-10092.4)
 - FOOTRESTS SHALL BE PROVIDED, EXCEPT FOR SPA LIFTS, AND SHALL MOVE WITH THE SEAT. LIFT SHALL HAVE TWO ARMRESTS. THE ARMREST POSITIONED OPPOSITE THE WATER SHALL BE REMOVABLE OR SHALL HOLD CLEAR OF THE SEAT WHEN THE SEAT IS IN THE RAISED POSITION. (CBC SECTION 11B-10092.6)
 - THE LIFT SHALL BE CAPABLE OF UNASSISTED OPERATION FROM BOTH THE DECK AND WATER LEVELS. CONTROLS AND OPERATING MECHANISMS SHALL BE OPERABLE WITH ONE HAND AND SHALL BE UNOBSTRUCTED WHEN THE LIFT IS IN USE (CBC SECTION 11B-3093.4). LIFT MUST BE STABLE AND NOT PERMIT UNINTENDED MOVEMENT WHEN A PERSON IS GETTING INTO OR OUT OF THE SEAT. (CBC SECTION 11B-10092.7)
 - THE LIFT SHALL BE DESIGNED SO THAT THE SEAT WILL SUBMERGE TO A WATER DEPTH OF 18" MIN. BELOW THE STATIONARY WATER LEVEL. (CBC SECTION 11B-10092.8)
 - LIFT SEAT MUST HAVE AN OCCUPANT RESTRAINT FOR USE BY THE OCCUPANT OF THE SEAT AND THE RESTRAINT MUST MEET THE STANDARDS FOR OPERABLE CONTROLS IN COMPLIANCE WITH CBC SECTION 11B-10092.4 AND SECTION 11B-3093.

7 ACCESSIBLE LIFT 3/4" = 1'-0"

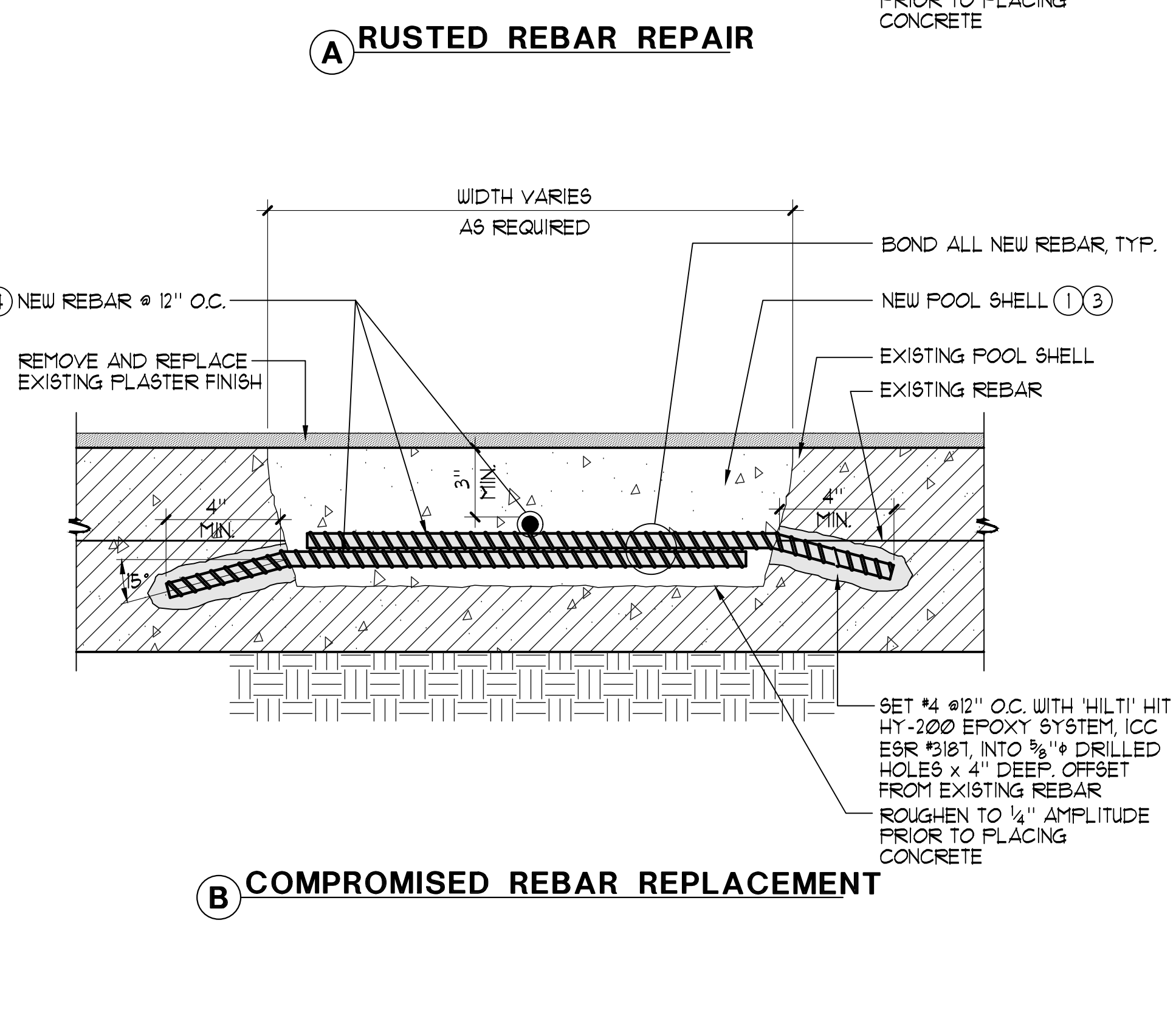
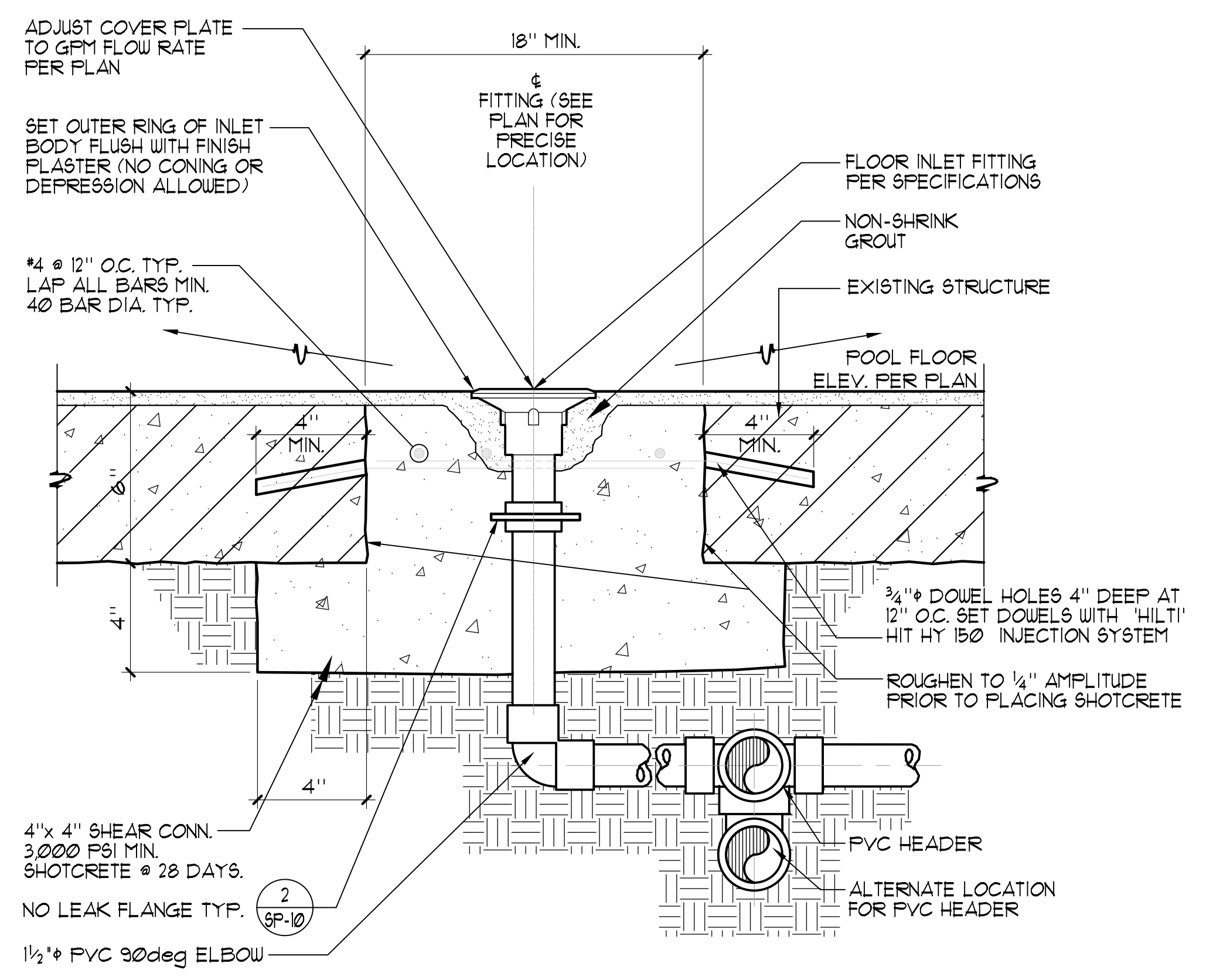
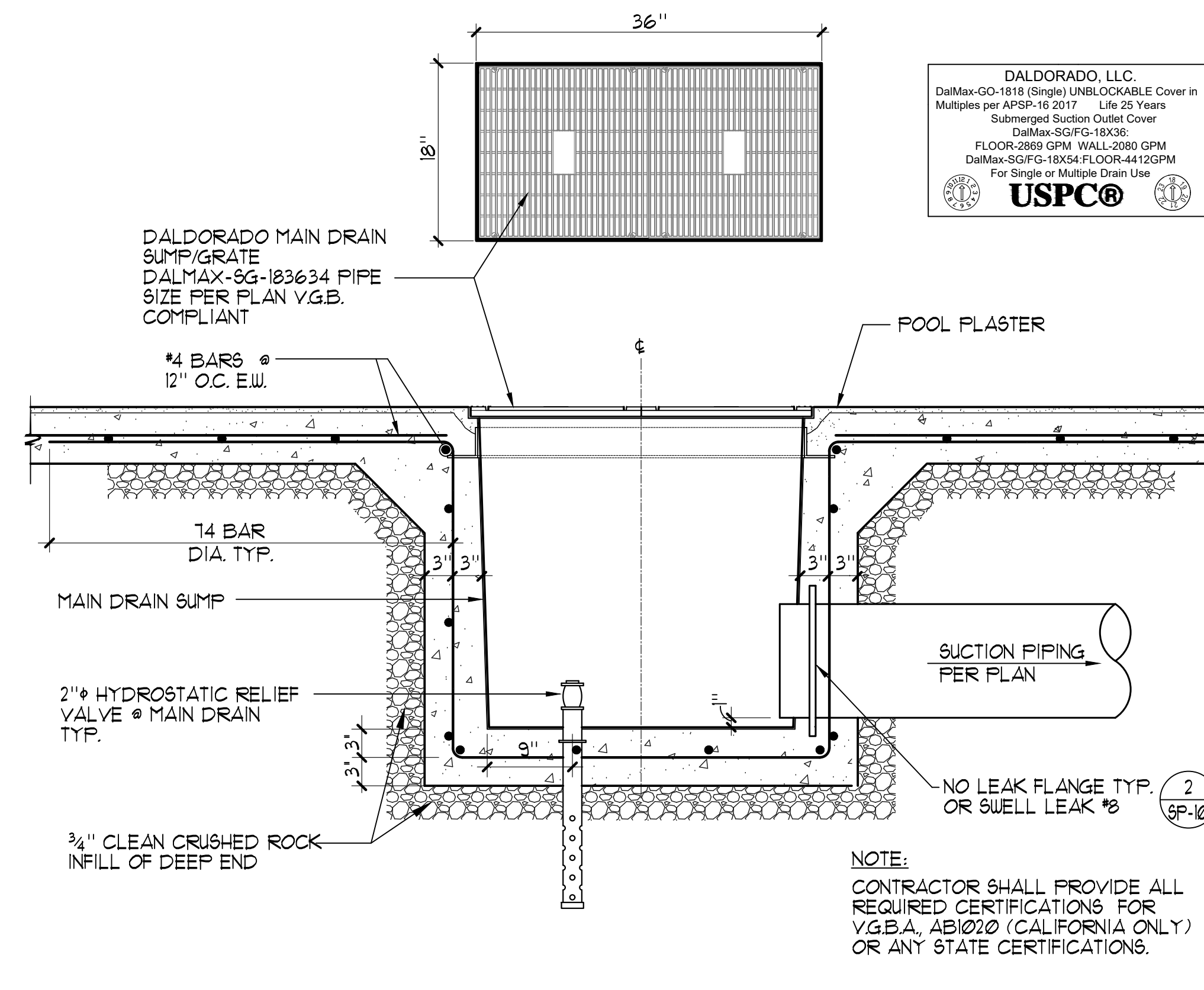


NOTES:

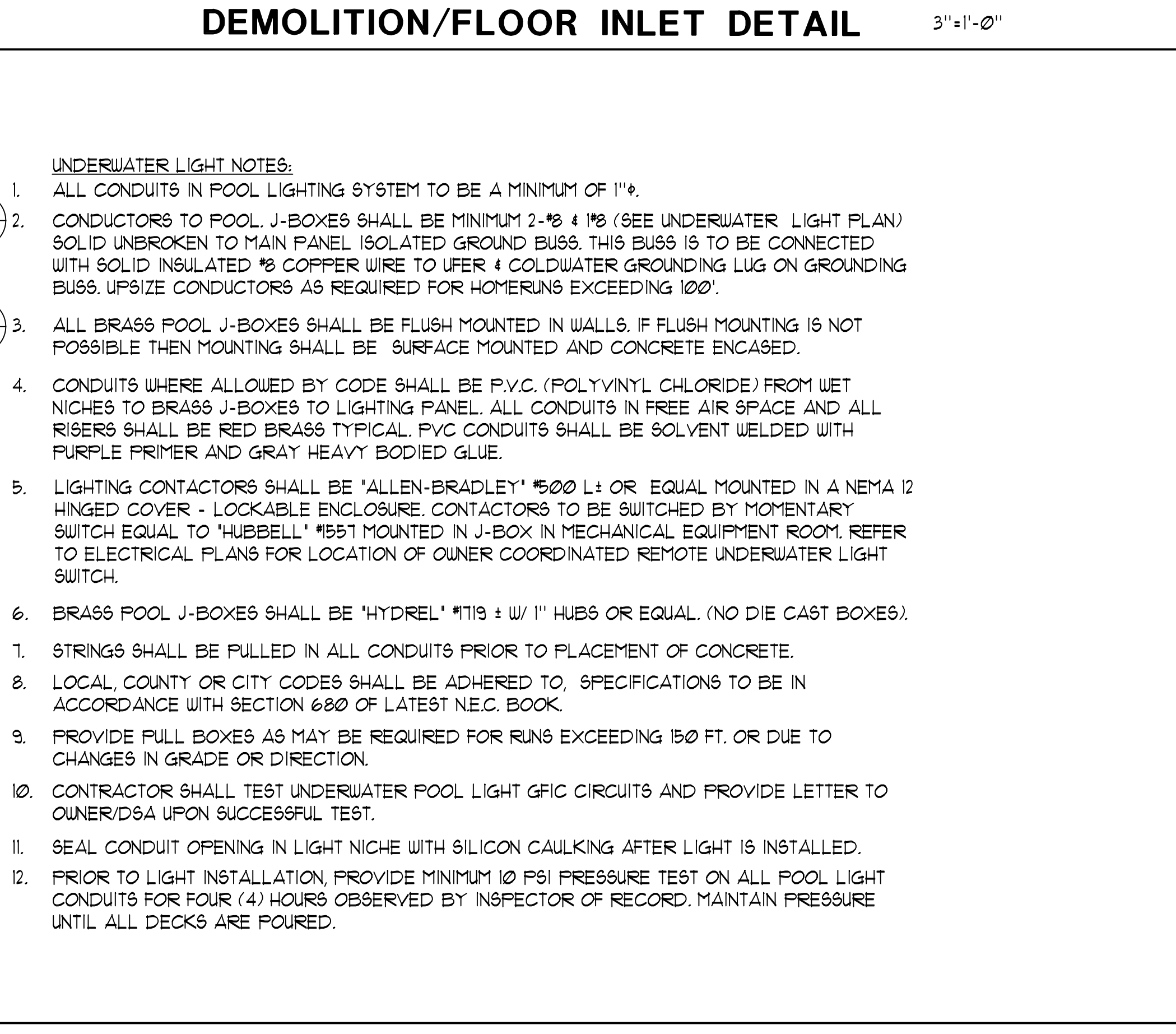
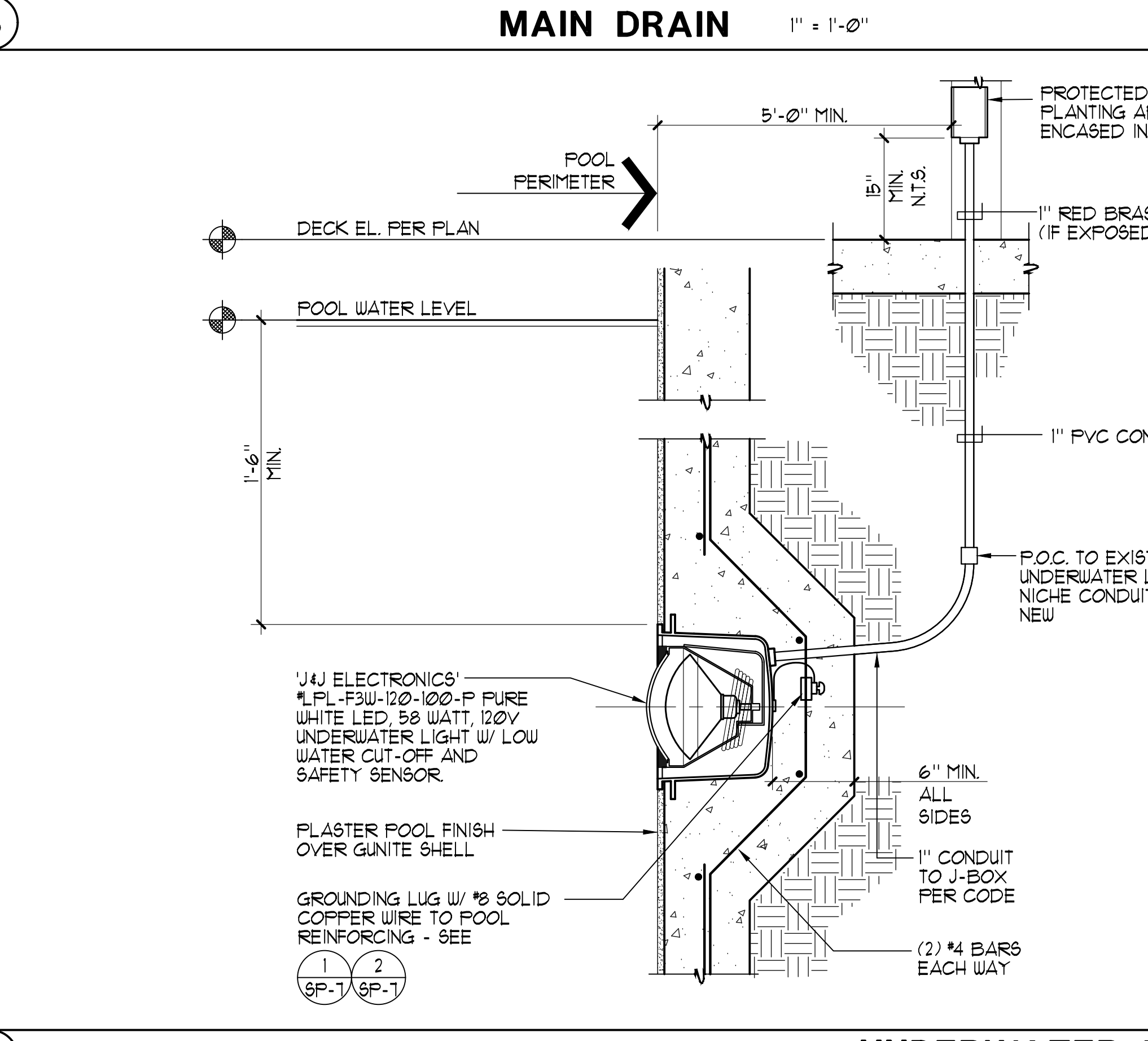
- CHIP OUT AND REMOVE CONCRETE IN DESIGNATED REPAIR AREAS TO EXPOSE REBAR. PROVIDE 1" MIN. CLEARANCE UNDER THE REBAR.
- SANDBLAST AND CLEAN EXPOSED REBAR TO REMOVE RUST/LAINTANCE. PAINT REBAR WITH ZINC RICH GALVANIZING COMPOUND PAINT.
- PLACE HIGH STRENGTH NON-SHRINK GROUT TO RESTORE POOL SHELL TO ORIGINAL SURFACE LEVEL. ANY OTHER IMPERFECTIONS IN THE POOL SHELL SHALL BE REPAIRED PRIOR TO INSTALLING A NEW PLASTER FINISH.



CONCRETE DECK JOINT DETAILS 1/2" x 1'-0"



DEMOLITION/FLOOR INLET DETAIL 3" x 1'-0"

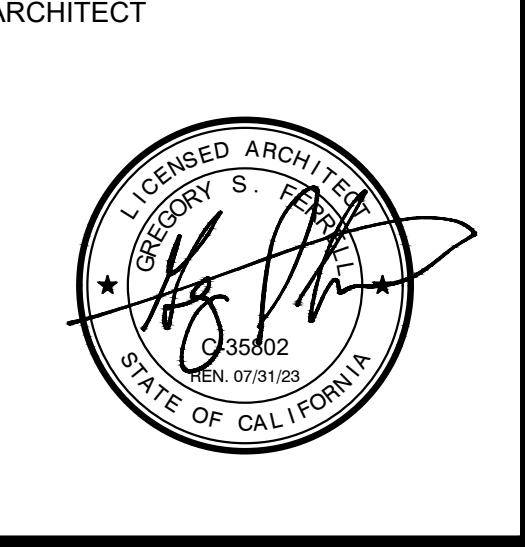


These drawings and specifications are the property and copyright of Aquatic Design Group, Inc. and shall not be used on any other work except by agreement with Aquatic Design Group, Inc. Written dimensions shall take preference over scaled dimensions and shall be verified on the job site. Any discrepancy shall be brought to the notice of Aquatic Design Group, Inc. prior to the commencement of any work.

LAS PALMAS MUNICIPAL POOL RENOVATION
1800 EAST 22ND STREET
NATIONAL CITY, CALIFORNIA 91950

REVISIONS

NO.	DATE	DESCRIPTION



DETAILS

CALIFORNIA NATIONAL CITY 1937 INCORPORATED

PROJECT NO. 2020.018
DRAWN BY NMV
CHECKED BY GSF
DATE 11/30/2021

SP-6

These drawings and specifications are the property and copyright of Aquatic Design Group, Inc. and shall not be used on any other work except by agreement with Aquatic Design Group, Inc. Written dimensions shall take preference over scaled dimensions and shall be verified on the job site. Any discrepancy shall be brought to the notice of Aquatic Design Group, Inc. prior to the commencement of any work.

LAS PALMAS MUNICIPAL POOL RENOVATION
1800 EAST 22ND STREET
NATIONAL CITY, CALIFORNIA 91950

REVISIONS

NO.	DATE	DESCRIPTION

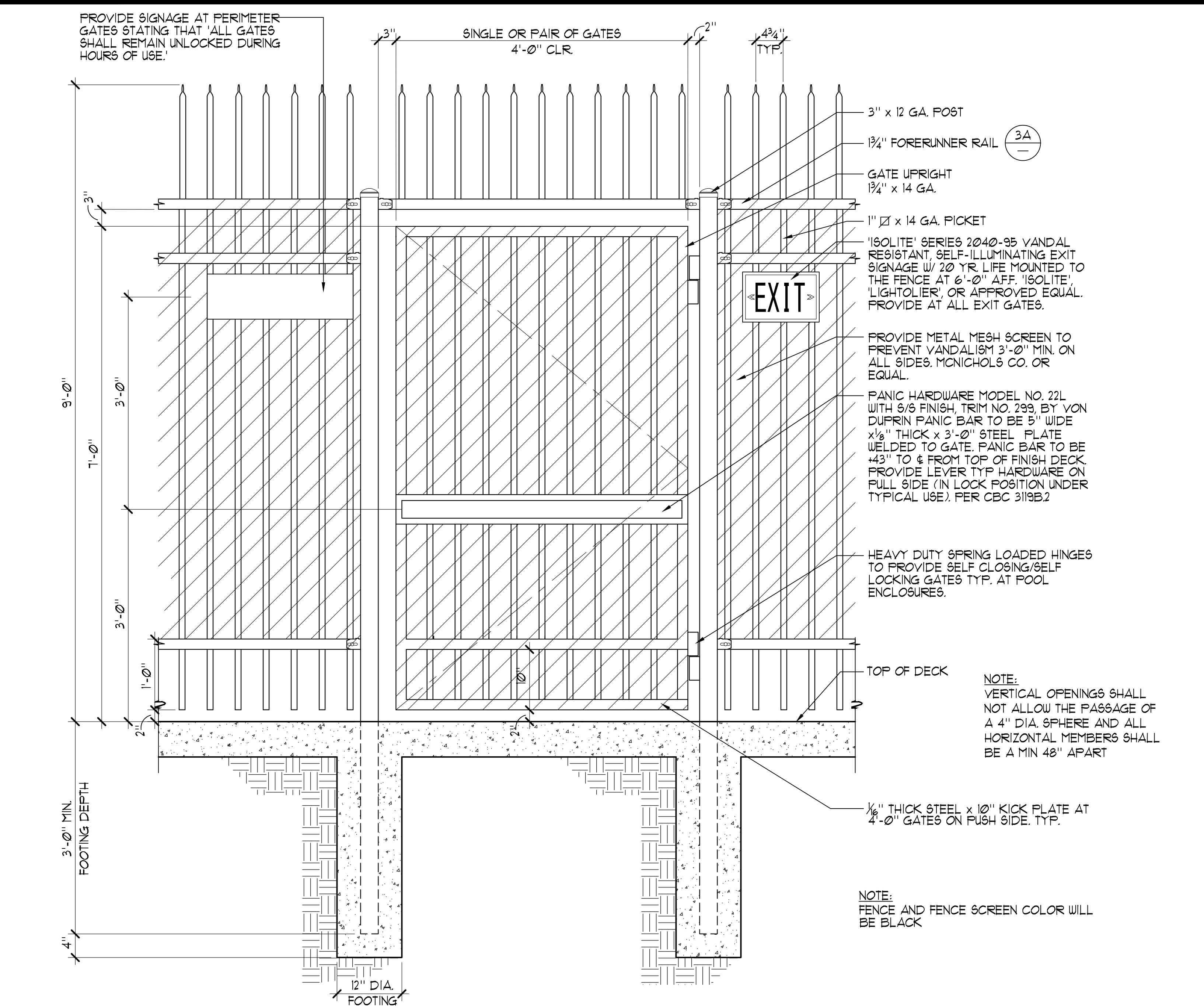


DRAWING TITLE
DETAILS

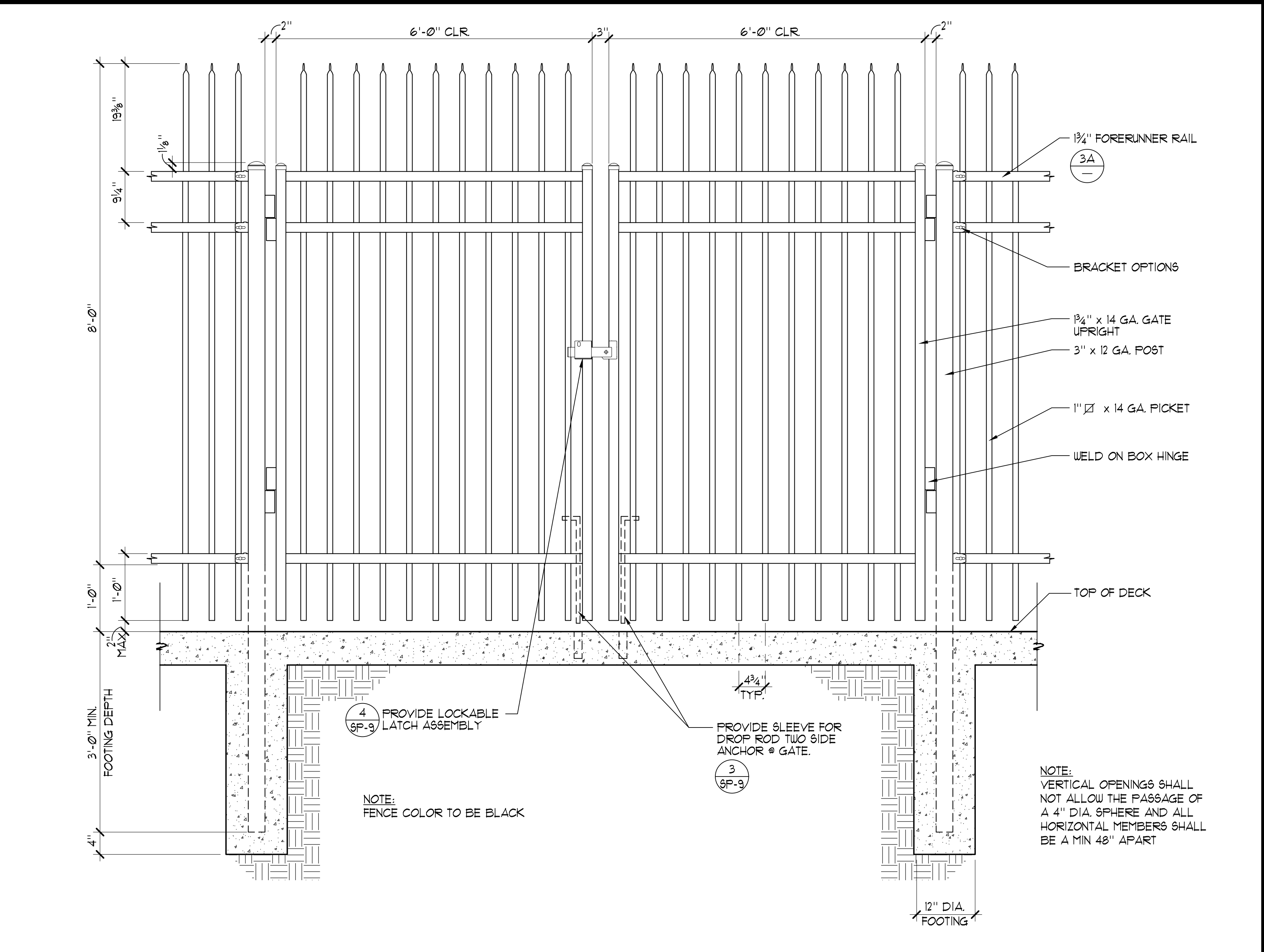


PROJECT NO. 2020.018
DRAWN BY NMV
CHECKED BY GSF
DATE 11/30/2021

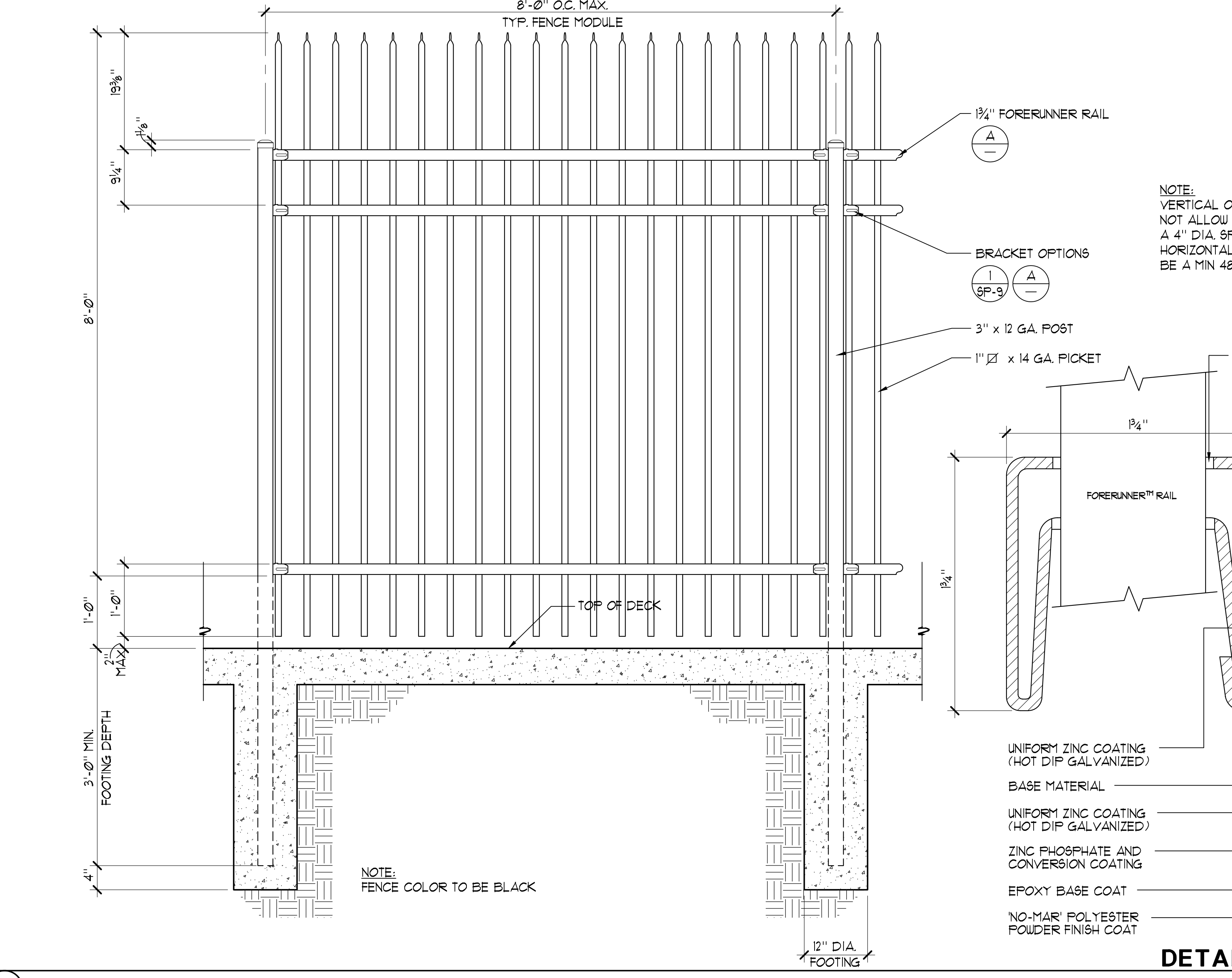
DRAWING NO.
SP-8



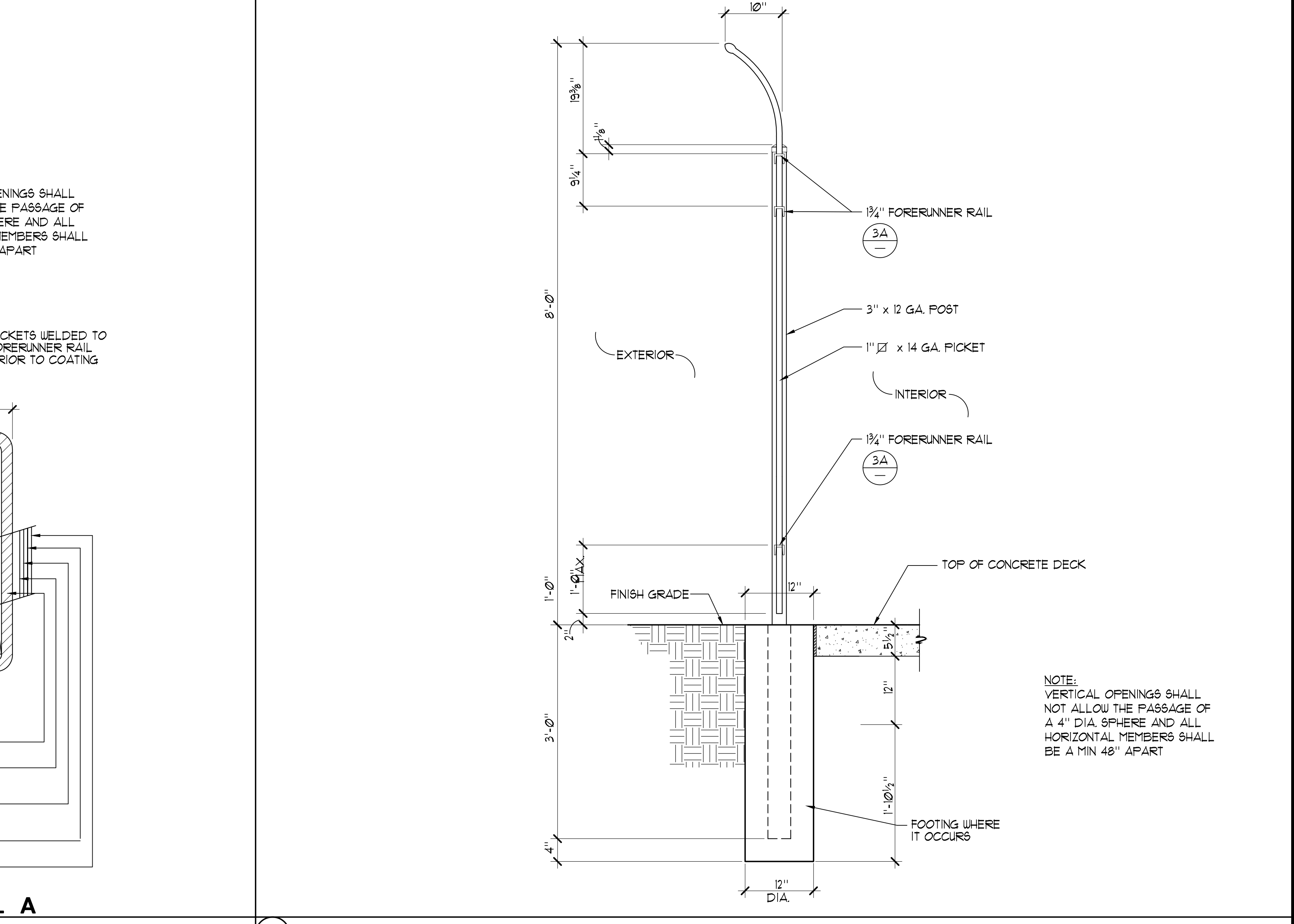
1 ELEVATION AT EXIT EGRESS GATE WITH PANIC HARDWARE 1" = 1'-0"



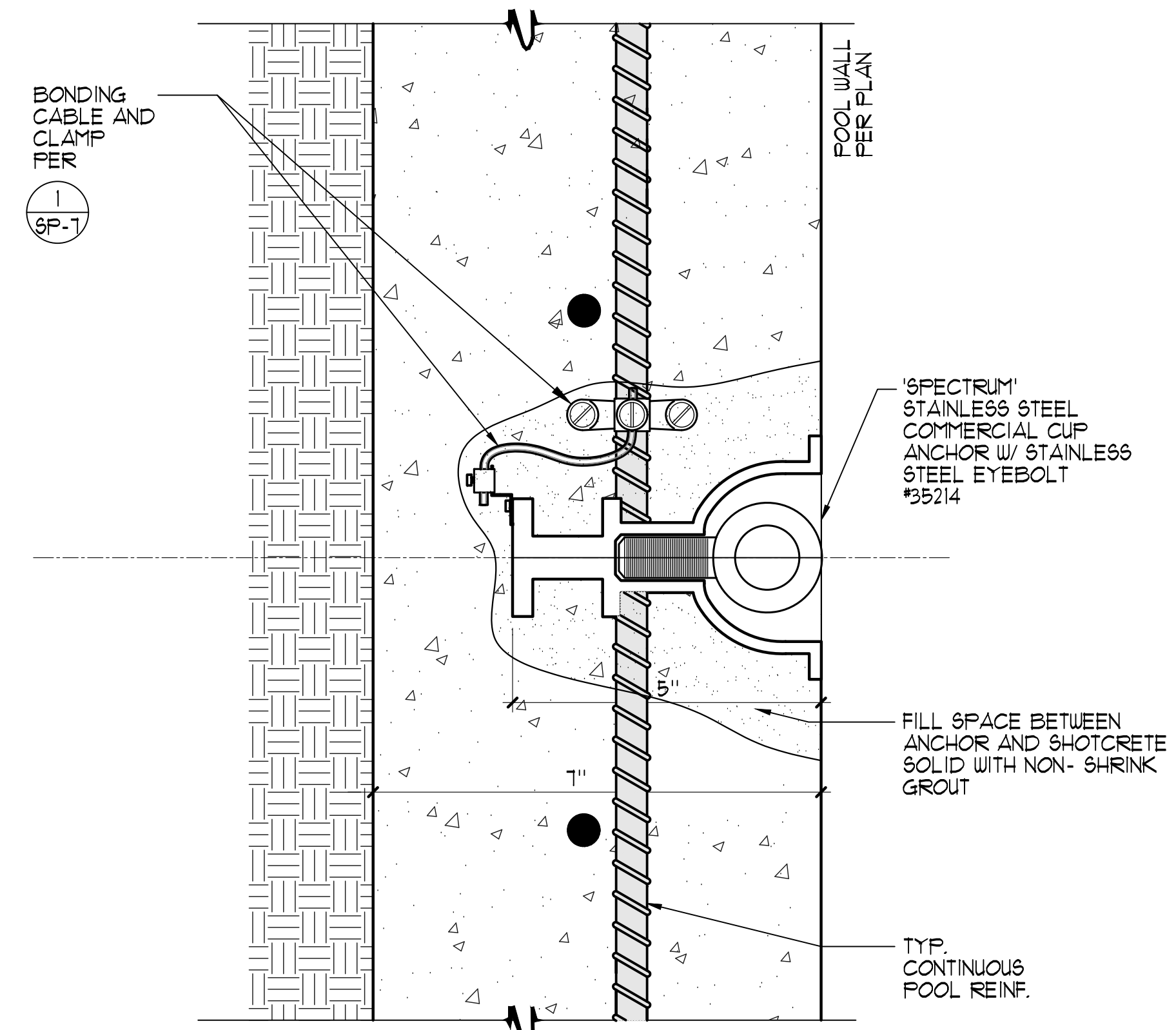
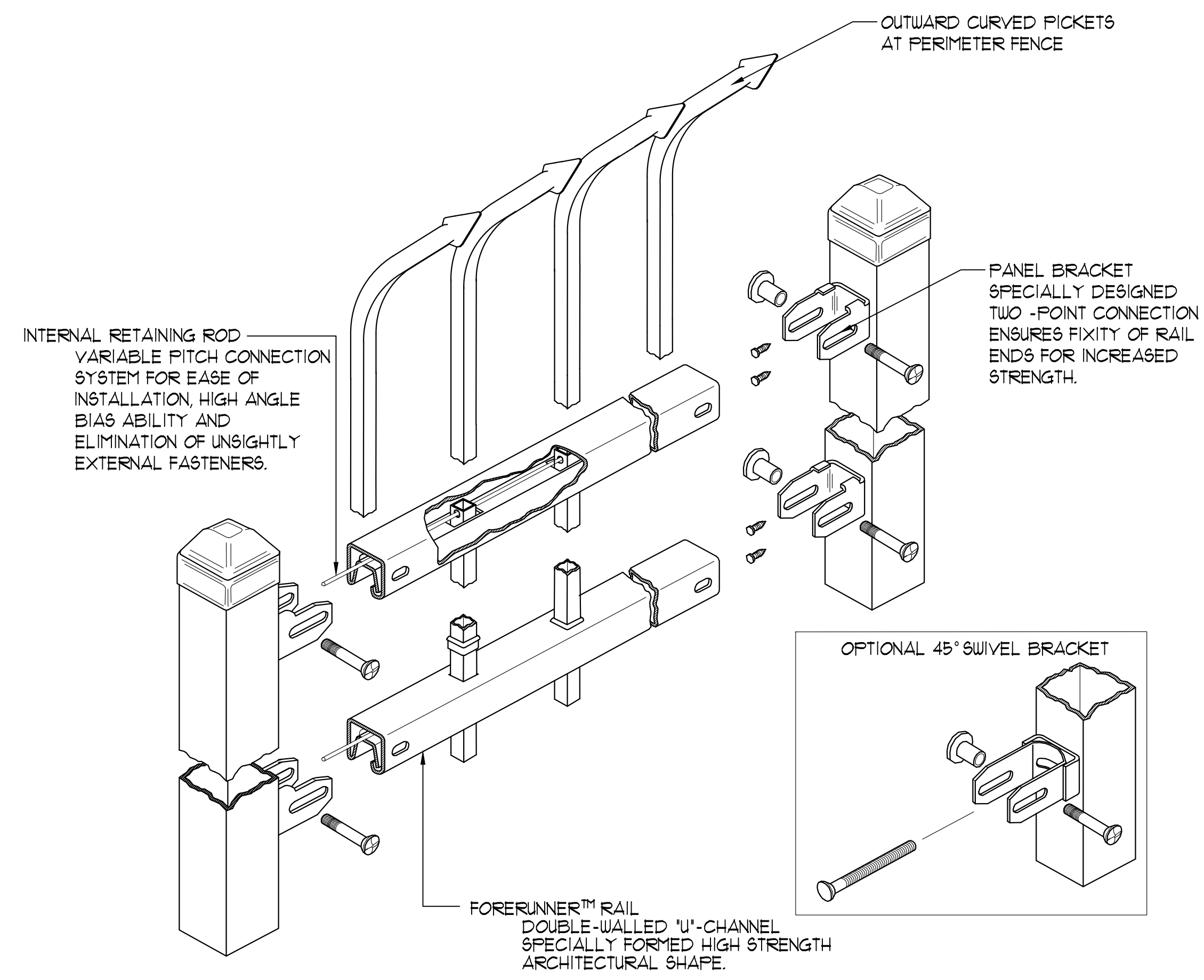
2 DOUBLE PERIMETER GATE ELEVATION 1" = 1'-0"



3 PERIMETER FENCE ELEVATION 1" = 1'-0"

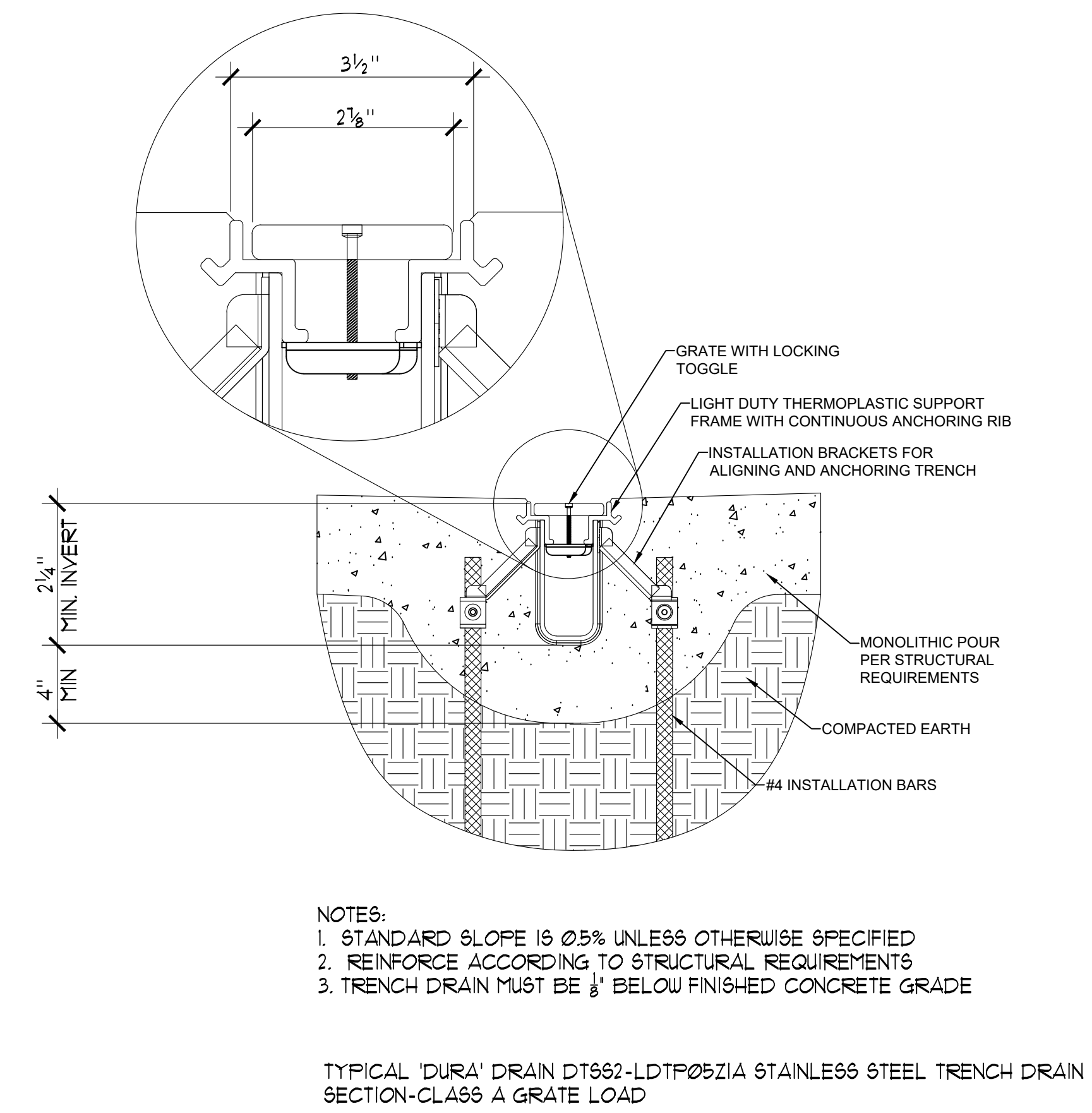
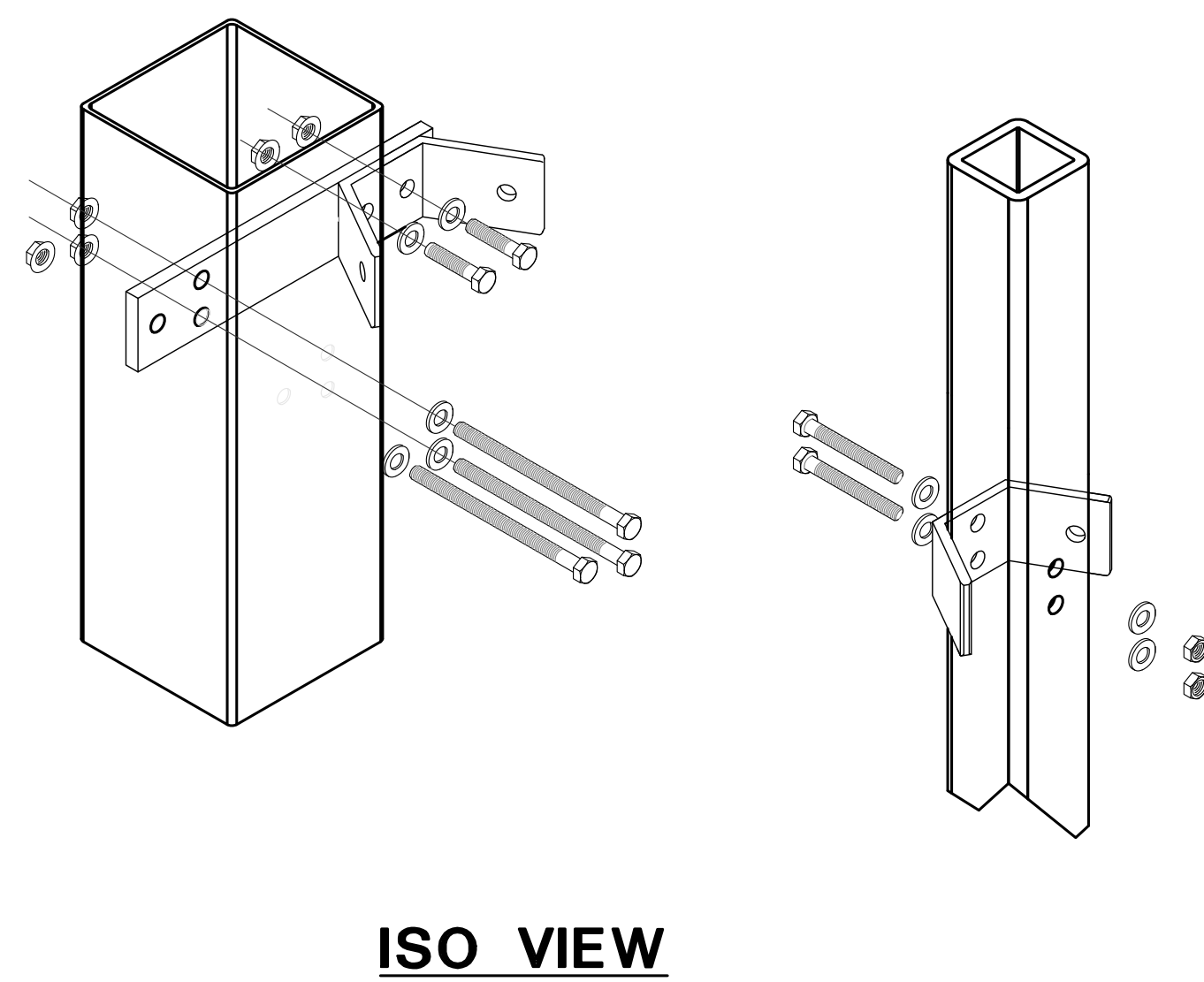
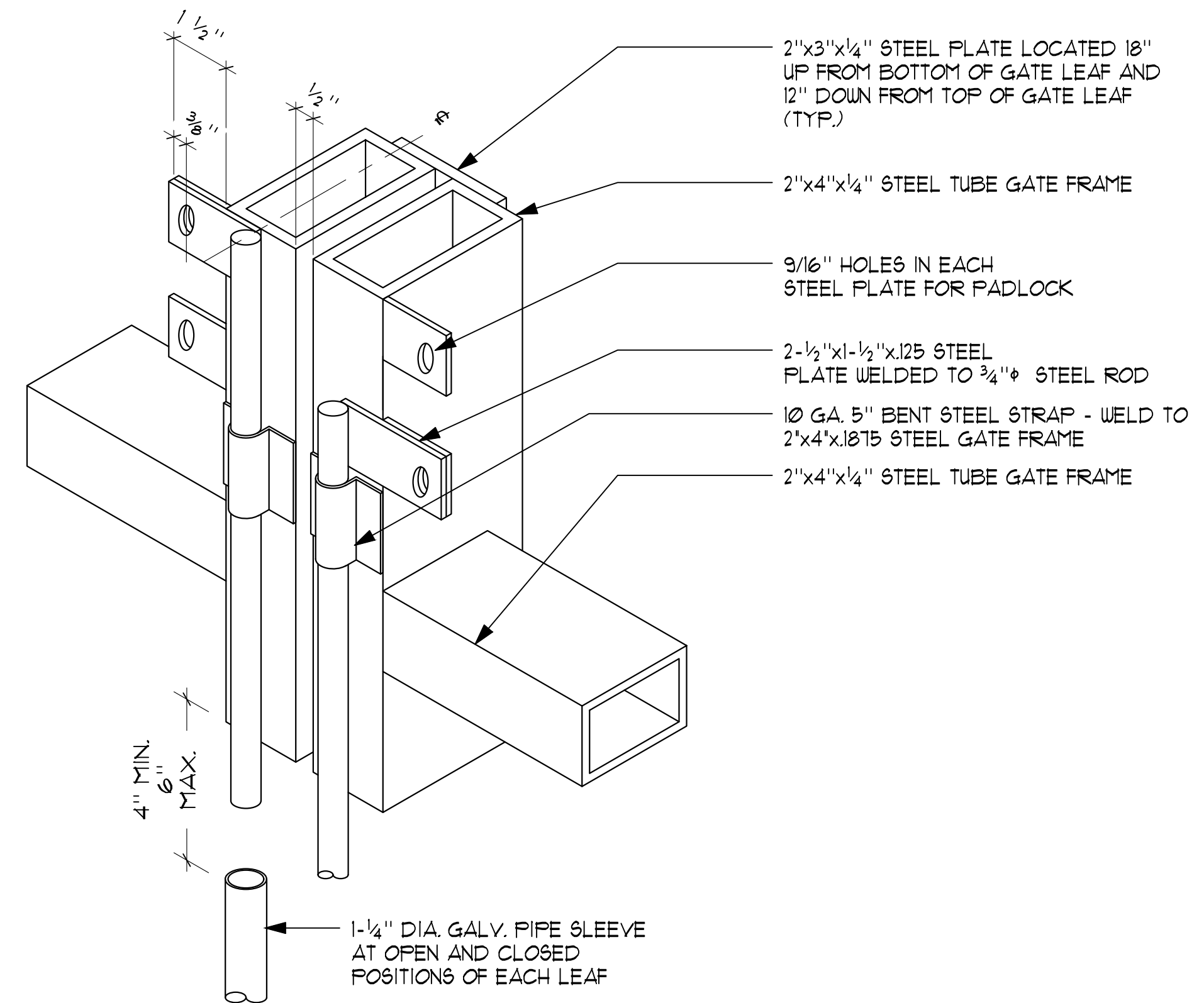


4 PERIMETER FENCE SECTION 1" = 1'-0"



1 FENCE PANEL BRACKET DETAIL NO SCALE

2 CUP ANCHOR IN (E) WALL 1/2" = 1"



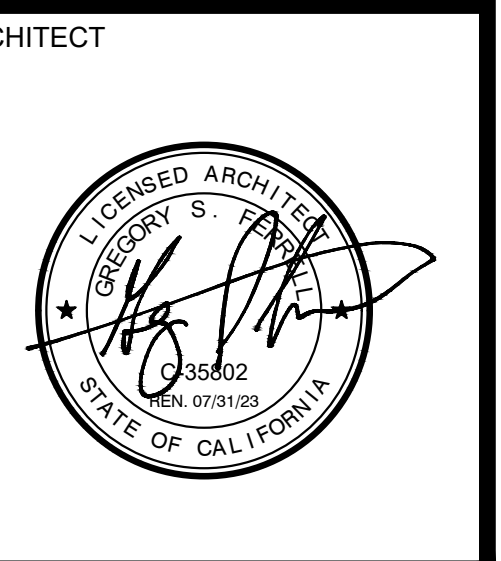
3 CANE BOLT ASSEMBLY NO SCALE

4 GATE LATCH ASSEMBLY NO SCALE

5 TRENCH DRAIN DETAIL NO SCALE

REVISIONS

NO.	DATE	DESCRIPTION
1	1/11/22	ADDENDUM #1



DRAWING TITLE
DETAILS



PROJECT NO.	2020.018
DRAWN BY	NMV
CHECKED BY	GSF
DATE	11/30/2021

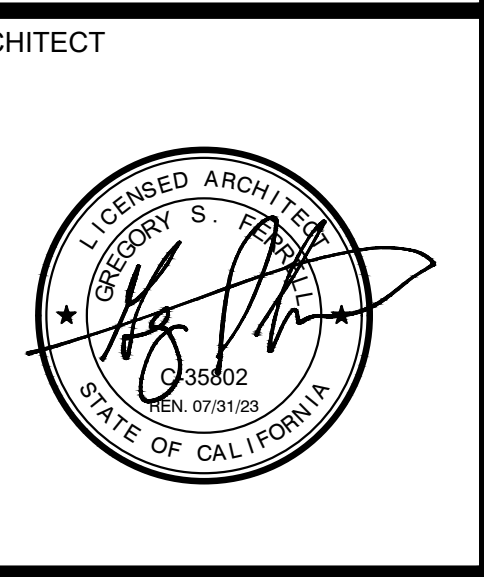
DRAWING NO.
SP-9

These drawings and specifications are the property and copyright of Aquatic Design Group, Inc. and shall not be used on any other work except by agreement with Aquatic Design Group, Inc. Written dimensions shall take preference over scaled dimensions and shall be verified on the job site. Any discrepancy shall be brought to the notice of Aquatic Design Group, Inc. prior to the commencement of any work.

PROJECT INFORMATION
LAS PALMAS MUNICIPAL POOL RENOVATION
1800 EAST 22ND STREET
NATIONAL CITY, CALIFORNIA 91950

REVISIONS

NO.	DATE	DESCRIPTION



DRAWING TITLE

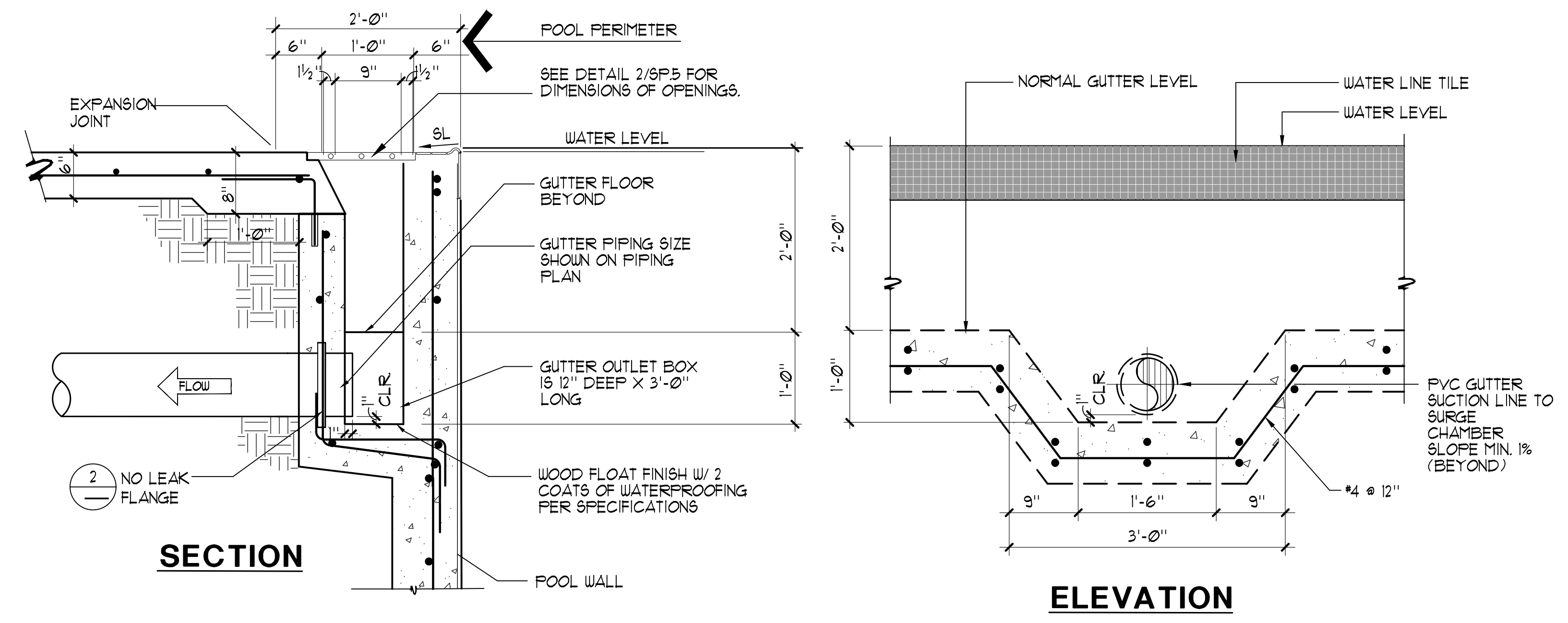
DETAILS

CALIFORNIA
NATIONAL CITY
1337
INCORPORATED

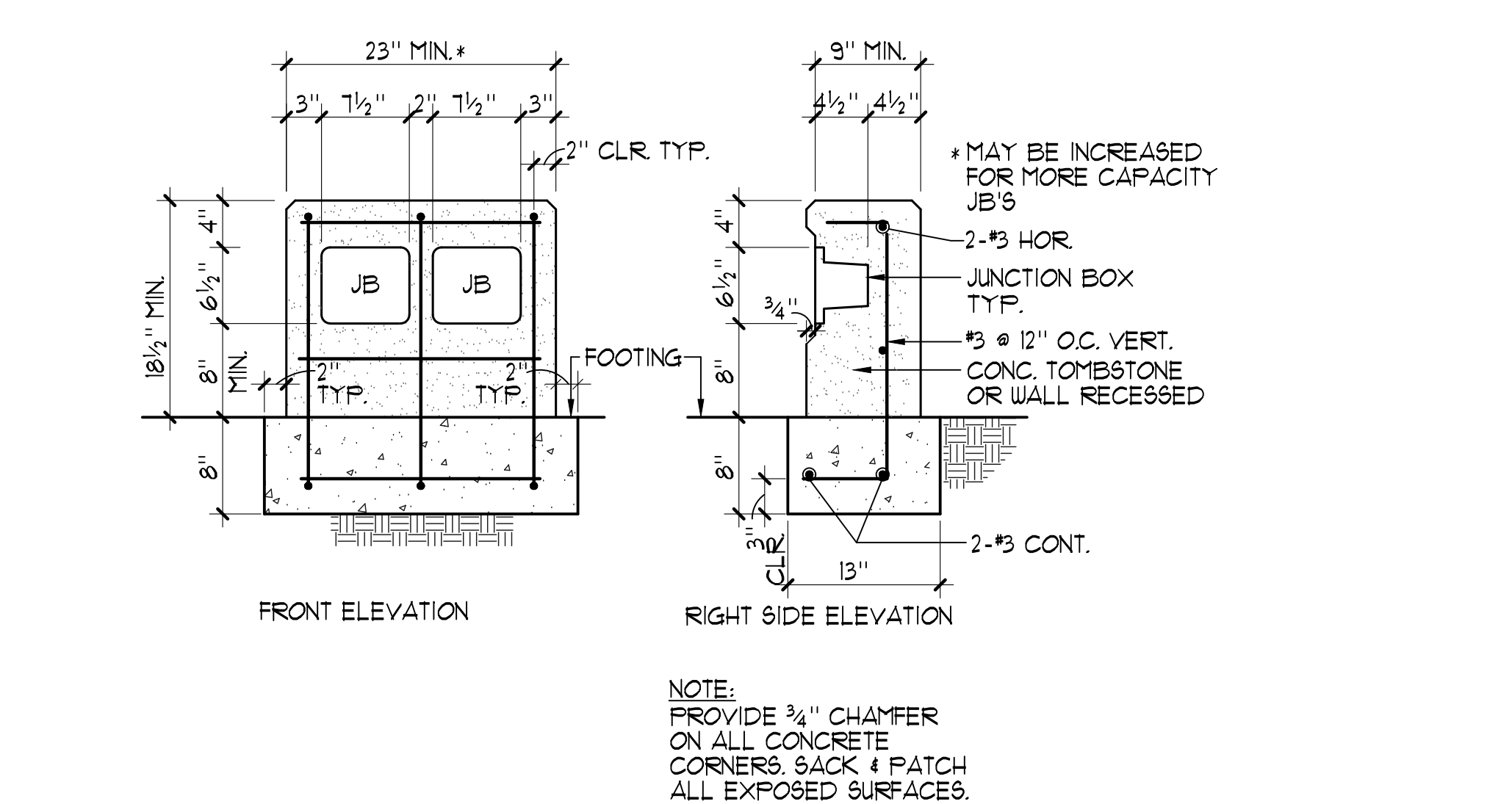
PROJECT NO.	2020.018
DRAWN BY	NMV
CHECKED BY	GSF
DATE	11/30/2021

DRAWING NO.

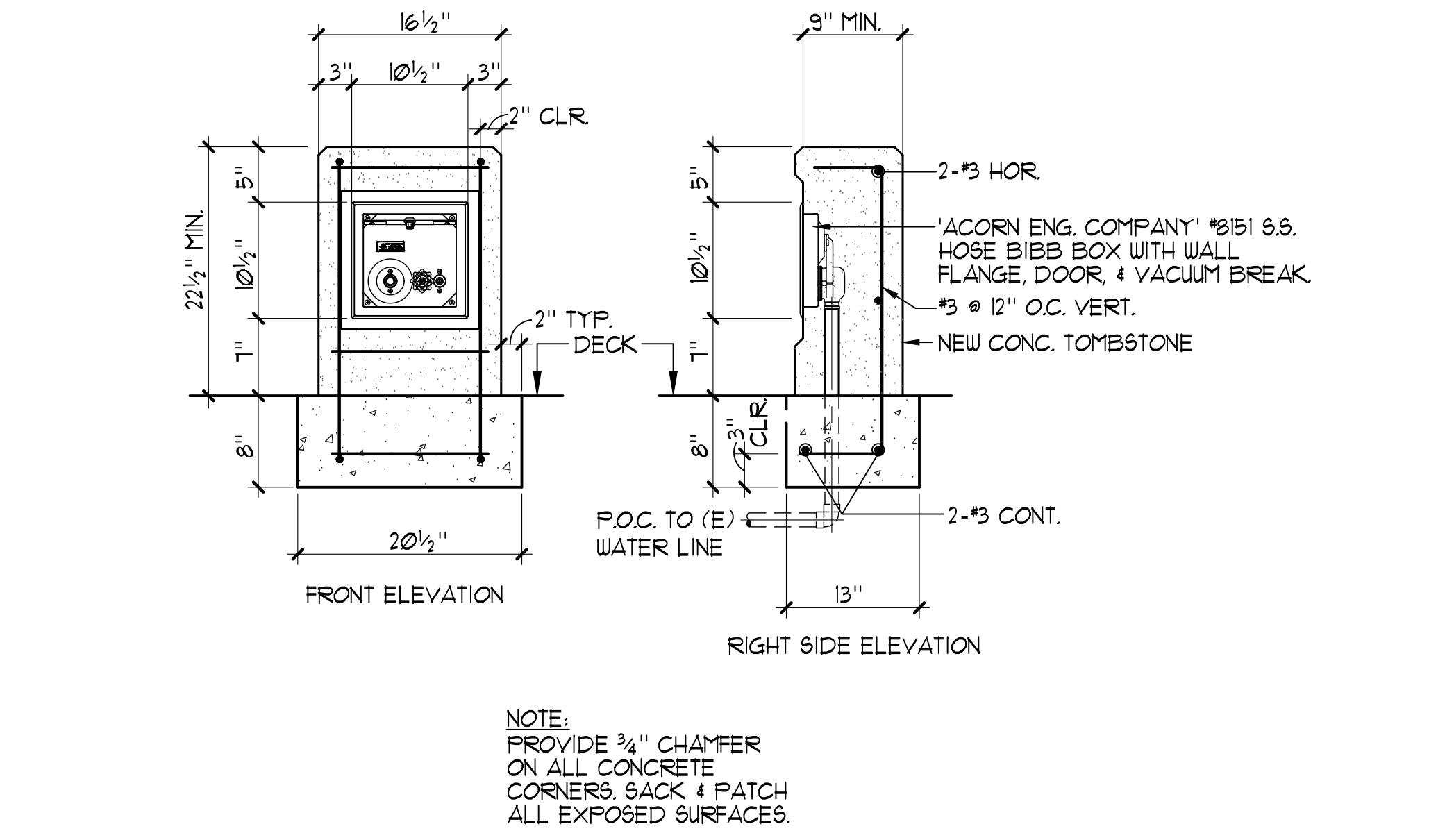
SP-10



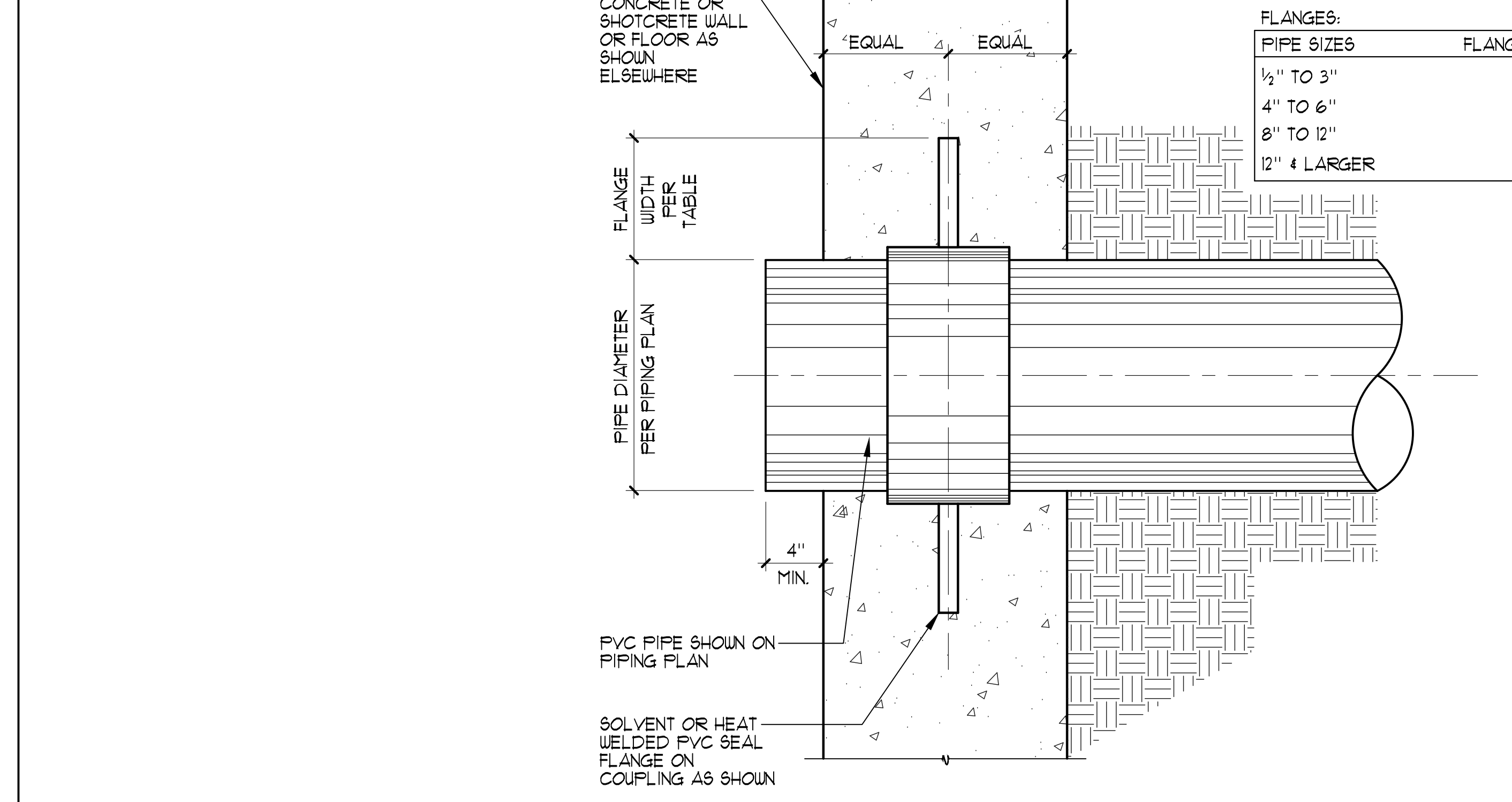
1 NEW GUTTER OUTLET AT NEW POOL WALL 1"=1'-0"



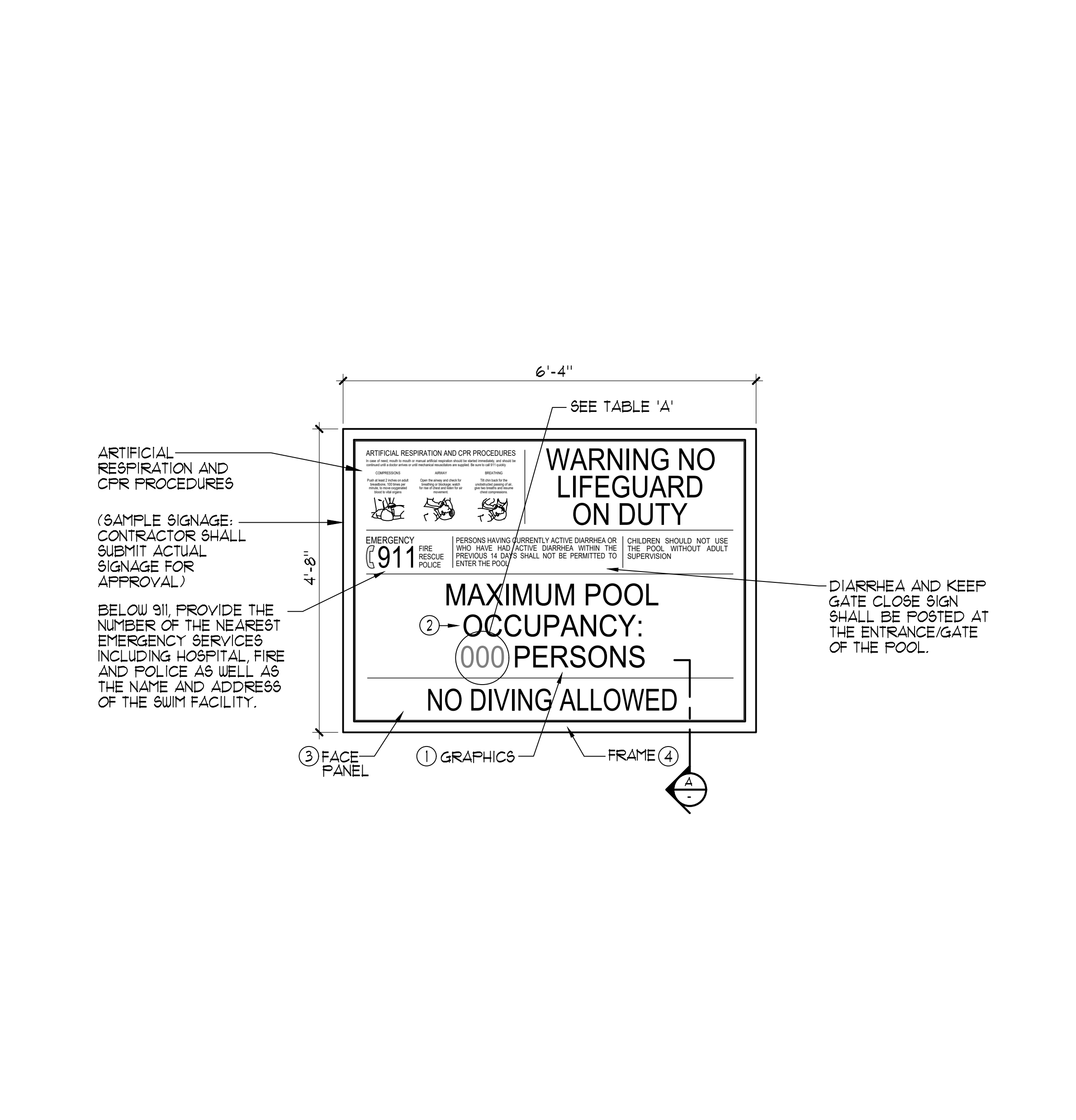
3 UNDERWATER LIGHT JUNCTION BOX CONCRETE SURROUND DETAIL 1"=1'-0"



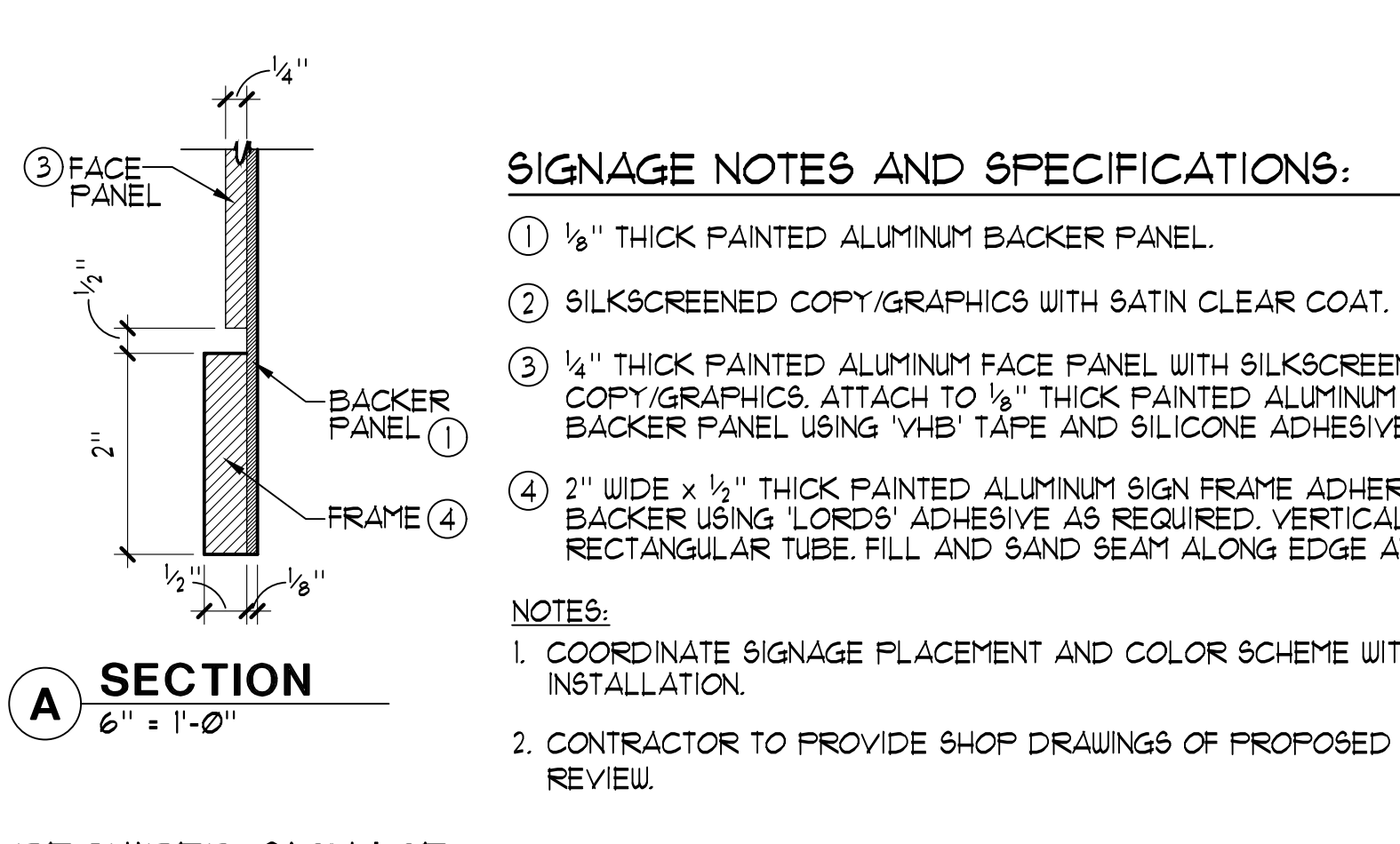
4 HOSE BIBB 1"=1'-0"



2 WATER STOP DETAIL NO SCALE



5 POOL SIGNAGE DETAIL 3/4"=1'-0"



- SIGNAGE NOTES AND SPECIFICATIONS:**
- | POOL TYPE | OCCUPANCY LOAD AT 1:20 |
|---------------|------------------------|
| SWIMMING POOL | 672 |
| ACTIVITY POOL | 117 |
- 1/8" THICK PAINTED ALUMINUM BACKER PANEL.
 - SILKSCREENED COPY/GRAPHICS WITH SATIN CLEAR COAT.
 - 1/4" THICK PAINTED ALUMINUM FACE PANEL WITH SILKSCREENED COPY/GRAPHICS. ATTACH TO 1/2" THICK PAINTED ALUMINUM BACKER PANEL USING VHB TAPE AND SILICONE ADHESIVE.
 - 2" WIDE x 1/2" THICK PAINTED ALUMINUM SIGN FRAME ADHERED TO 1/8" THICK PAINTED ALUMINUM BACKER USING LORDS' ADHESIVE AS REQUIRED. VERTICAL SECTION OF FRAME TO BE RECTANGULAR TUBE. FILL AND SAND BEAM ALONG EDGE AND FACE PRIOR TO PAINTING.
- NOTES:**
1. COORDINATE SIGNAGE PLACEMENT AND COLOR SCHEME WITH ARCHITECT/OWNER PRIOR TO INSTALLATION.
 2. CONTRACTOR TO PROVIDE SHOP DRAWINGS OF PROPOSED SIGNAGE AND MOUNTING DETAIL FOR REVIEW.
- REQUIRED SIGNAGE:**
- ALL SIGNS SHALL HAVE CLEARLY LEGIBLE LETTERS OR NUMBERS NOT LESS THAN 4 INCHES HIGH, UNLESS OTHERWISE NOTED. AFFIXED TO A WALL, POLE, GATE, OR SIMILAR PERMANENT STRUCTURE IN A LOCATION VISIBLE TO ALL POOL USERS.
 - NO DIVING SIGN; SIGNS SHALL BE POSTED IN CONSPICUOUS PLACES AND SHALL STATE "NO DIVING" AT POOLS WITH A MAXIMUM WATER DEPTH OF 6 FEET OR LESS.
 - NO LIFEGUARD SIGN; WHERE NO LIFEGUARD SERVICE IS PROVIDED, A WARNING SIGN SHALL BE POSTED, STATING, "NO LIFEGUARD ON DUTY." THE SIGN ALSO SHALL STATE IN LETTERS AT LEAST 1 INCH HIGH "CHILDREN SHOULD NOT USE POOL WITHOUT ADULT SUPERVISION."
 - ARTIFICIAL RESPIRATION AND CPR SIGN; AN ILLUSTRATED DIAGRAM WITH TEXT AT LEAST 1/2 INCH HIGH OF ARTIFICIAL RESPIRATION AND CPR PROCEDURES SHALL BE POSTED.
 - EMERGENCY SIGN; THE EMERGENCY TELEPHONE NUMBER 911, THE NUMBER OF THE NEAREST EMERGENCY SERVICES AND THE NAME AND STREET ADDRESS OF THE POOL FACILITY SHALL BE POSTED.
 - WARNING SIGN FOR A SPA POOL; A WARNING SIGN FOR THE SPA POOLS SHALL BE POSTED, STATING, "CAUTION" AND SHALL INCLUDE THE FOLLOWING LANGUAGE IN LETTERS AT LEAST 1 INCH HIGH:
 - ELDERLY PERSONS, PREGNANT WOMEN, INFANTS AND THOSE WITH HEALTH CONDITIONS REQUIRING MEDICAL CARE SHOULD CONSULT WITH A PHYSICIAN BEFORE ENTERING THE SPA.
 - CHILDREN SHOULD NOT USE SPA WITHOUT ADULT SUPERVISION.
 - HOT WATER IMMERSION UNDER THE INFLUENCE OF ALCOHOL, NARCOTICS, DRUGS, OR MEDICINES MAY LEAD TO SERIOUS CONSEQUENCES AND IS NOT RECOMMENDED.
 - DO NOT USE ALONE.
 - LONG EXPOSURE MAY RESULT IN HYPERTHERMIA, NAUSEA, DIZZINESS OR FAINING.
 - EMERGENCY SHUT OFF; IN LETTERS AT LEAST ONE INCH HIGH A SIGN SHALL BE POSTED AT THE SPA EMERGENCY SHUT OFF SWITCH STATING "EMERGENCY SHUT OFF SWITCH."
 - NO USE AFTER DARK; WHERE POOLS WERE CONSTRUCTED FOR WHICH LIGHTING WAS NOT REQUIRED A SIGN SHALL BE POSTED AT EACH POOL ENTRANCE ON THE OUTSIDE OF THE GATE(S) STATING, "NO USE OF POOL ALLOWED AFTER DARK."
 - KEEP CLOSED; A SIGN SHALL BE POSTED ON THE EXTERIOR SIDE OF GATES AND DOORS LEADING INTO THE POOL ENCLOSURE AREA STATING, "KEEP CLOSED."
 - DIARRHEA; A SIGN IN LETTERS AT LEAST 1 INCH HIGH AND IN A LANGUAGE OR DIAGRAM THAT IS CLEARLY STATED SHALL BE POSTED AT THE ENTRANCE AREA OF A PUBLIC POOL WHICH STATES THAT PERSONS HAVING CURRENTLY ACTIVE DIARRHEA OR WHO HAVE HAD ACTIVE DIARRHEA WITHIN THE PREVIOUS 14 DAYS SHALL NOT BE ALLOWED TO ENTER THE POOL WATER.
 - DIRECTION OF FLOW SIGNAGE AND LABELS.
 - THE DIRECTION OF FLOW FOR THE RECIRCULATION EQUIPMENT SHALL BE LABELED CLEARLY WITH DIRECTIONAL SYMBOLS SUCH AS ARROWS ON ALL PIPING IN THE EQUIPMENT AREA.
 - WHERE THE RECIRCULATION EQUIPMENT FOR MORE THAN ONE POOL IS LOCATED ON SITE, THE EQUIPMENT SHALL BE MARKED AS TO WHICH POOL THE SYSTEM SERVES.
 - VALVES AND PLUMBING LINES SHALL BE LABELED CLEARLY WITH THE SOURCE OR DESTINATION DESCRIPTIONS.

These drawings and specifications are the property and copyright of Aquatic Design Group, Inc. and shall not be used on any other work except by agreement with Aquatic Design Group, Inc. Written dimensions shall take preference over scaled dimensions and shall be verified on the job site. Any discrepancy shall be brought to the notice of Aquatic Design Group, Inc. prior to the commencement of any work.

PROJECT INFORMATION
LAS PALMAS MUNICIPAL POOL RENOVATION
1800 EAST 22ND STREET
NATIONAL CITY, CALIFORNIA 91950

REVISIONS

NO.	DATE	DESCRIPTION



ARCHITECT TITLE
ACTIVITY POOL PLAN



PROJECT NO. 2020.018
DRAWN BY NMV
CHECKED BY GSF
DATE 11/30/2021

DRAWING NO.
AP-1

(E) ACTIVITY POOL DATA

SURFACE AREA	=	2,350 SQ. FT.
PERIMETER	=	220 FT.
DEPTH	=	0'-0" TO 3'-9"
VOLUME	=	31,000 GAL.
14 HR TURNOVER	=	450 GPM

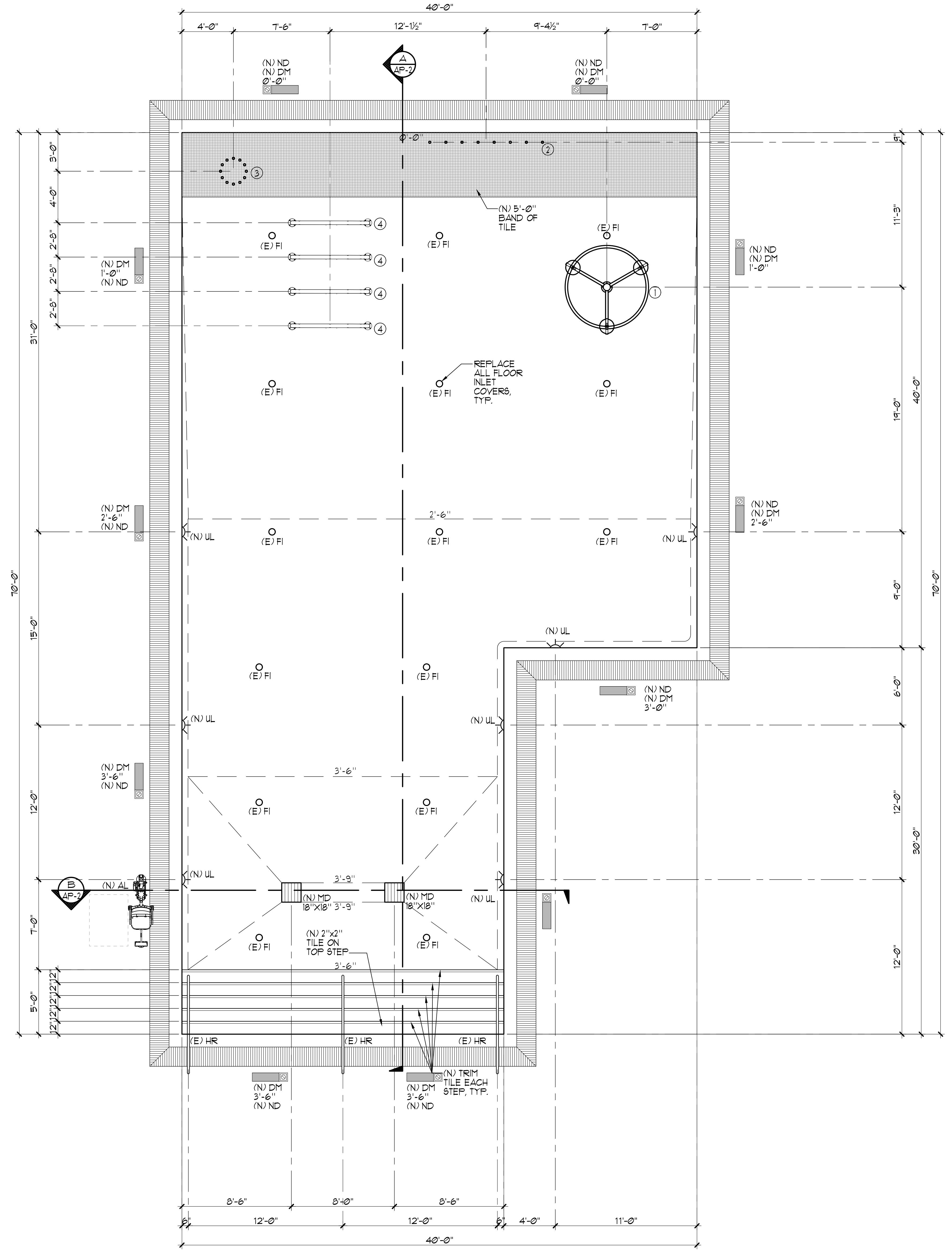
LEGEND

MD	=	MAIN DRAIN	①
FI	=	FLOOR INLET	④
AL	=	ACCESSIBLE LIFT	⑦
HR	=	HANDRAIL	③
DM	=	DEPTH MARKER	④
ND	=	NO DIVING	⑤
UL	=	UNDERWATER LIGHT	④
(E)	=	EXISTING	
(N)	=	NEW	

(E) WET PLAY FEATURES

	PRODUCT	QTY
①	RAINING BUCKETS	1
②	WATER TUNNEL	1
③	BUBBLER	1
④	SPRAY LOOPS	4

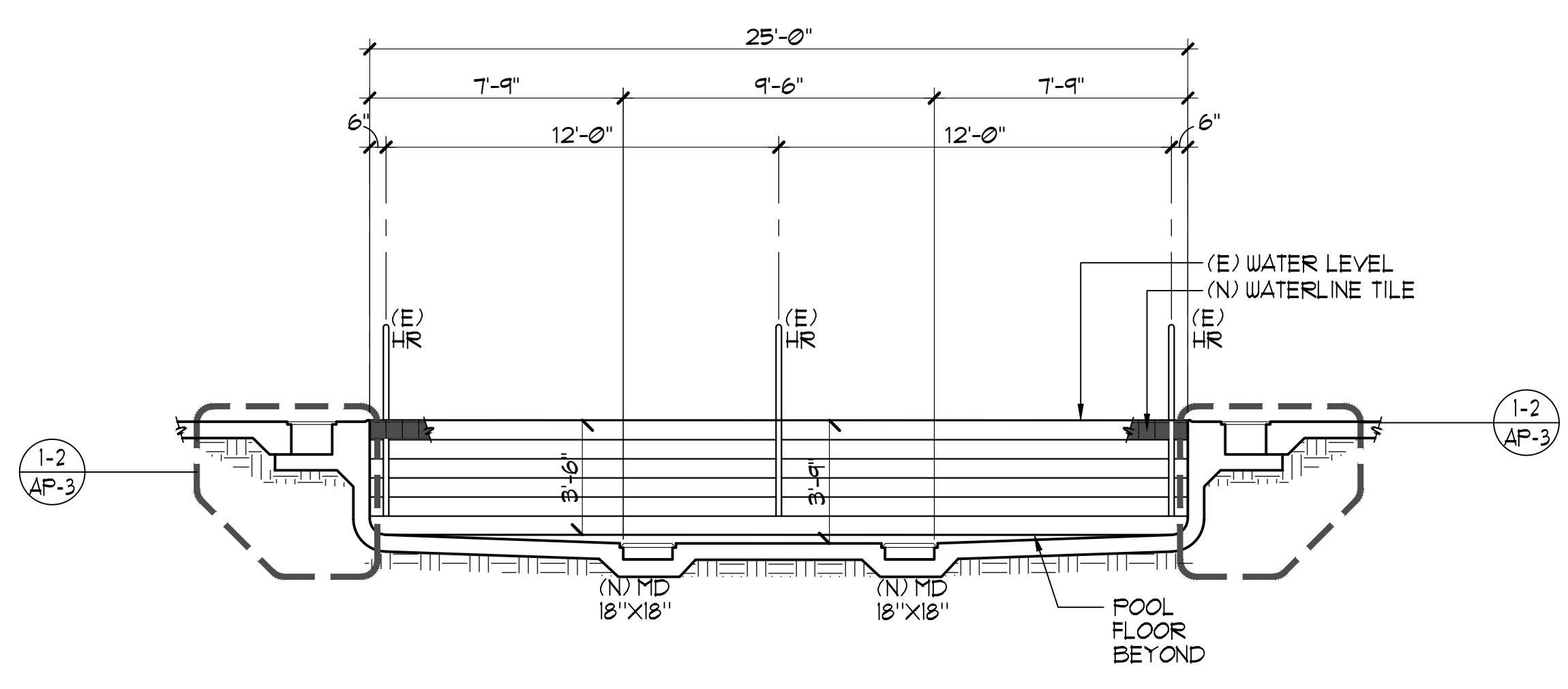
HEALTH DEPARTMENT NOTES:
1. SWIMMING POOL PLASTER COLOR SHALL BE WHITE WITH NO LETTERS, MARKINGS OR DESIGNS EXCEPT FOR SAFETY MARKINGS.
2. 6" WATERLINE AND GUTTER CAP TILE SHALL BE GLOSSY SMOOTH AND OF A CONTRASTING COLOR TO THE POOL PLASTER, AROUND THE ENTIRE POOL PERIMETER.
3. ALL MARKERS LOCATED ON THE DECK SHALL BE SLIP RESISTANT. SLIP RESISTANT IS CONSIDERED A WET COEFFICIENT OF FRICTION OF 0.6 OR GREATER.



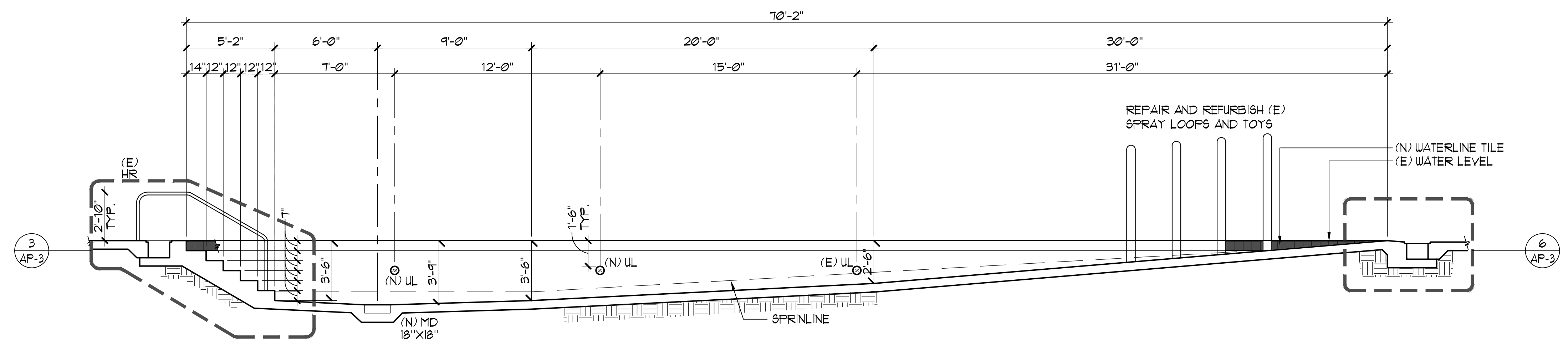
ACTIVITY POOL SECTIONS 1/4" = 1'-0"

These drawings and specifications are the property and copyright of Aquatic Design Group, Inc. and shall not be used on any other work except by agreement with Aquatic Design Group, Inc. Written dimensions shall take preference over scaled dimensions and shall be verified on the job site. Any discrepancy shall be brought to the notice of Aquatic Design Group, Inc. prior to the commencement of any work.

PROJECT INFORMATION
LAS PALMAS MUNICIPAL POOL RENOVATION
 1800 EAST 22nd STREET
 NATIONAL CITY, CALIFORNIA 91950



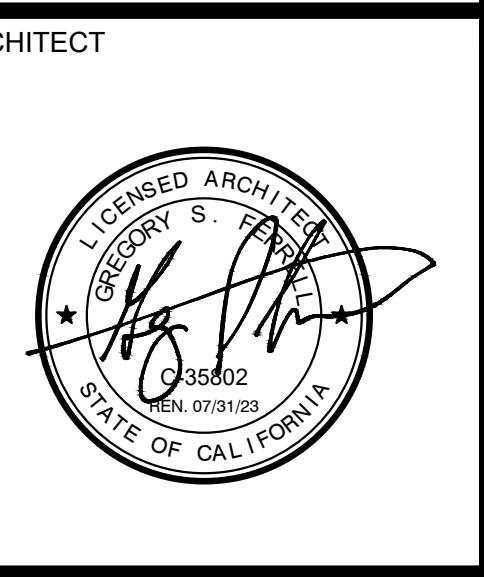
ACTIVITY POOL SECTIONS 1/4" = 1'-0"



ACTIVITY POOL SECTIONS 1/4" = 1'-0"

REVISIONS

NO.	DATE	DESCRIPTION



DRAWING TITLE
ACTIVITY POOL SECTIONS

PROJECT NO.	2020.018
DRAWN BY	NMV
CHECKED BY	GSF
DATE	11/30/2021

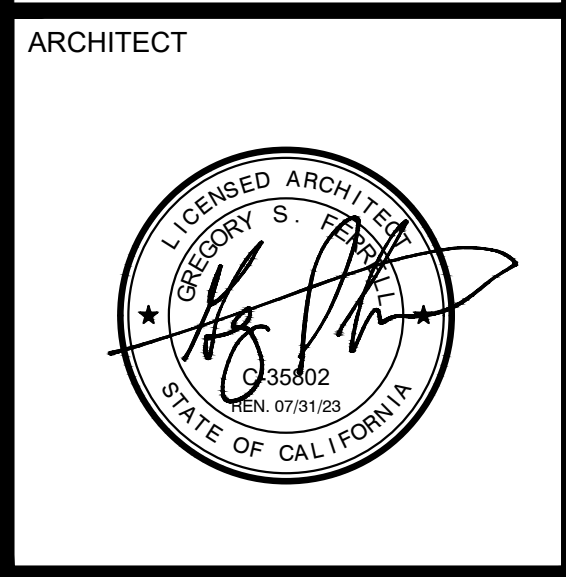
DRAWING NO.
AP-2

These drawings and specifications are the property and copyright of Aquatic Design Group, Inc. and shall not be used on any other work except by agreement with Aquatic Design Group, Inc. Written dimensions shall take preference over scaled dimensions and shall be verified on the job site. Any discrepancy shall be brought to the notice of Aquatic Design Group, Inc. prior to the commencement of any work.

LAS PALMAS MUNICIPAL POOL RENOVATION
1800 EAST 22ND STREET
NATIONAL CITY, CALIFORNIA 91950

REVISIONS

NO.	DATE	DESCRIPTION

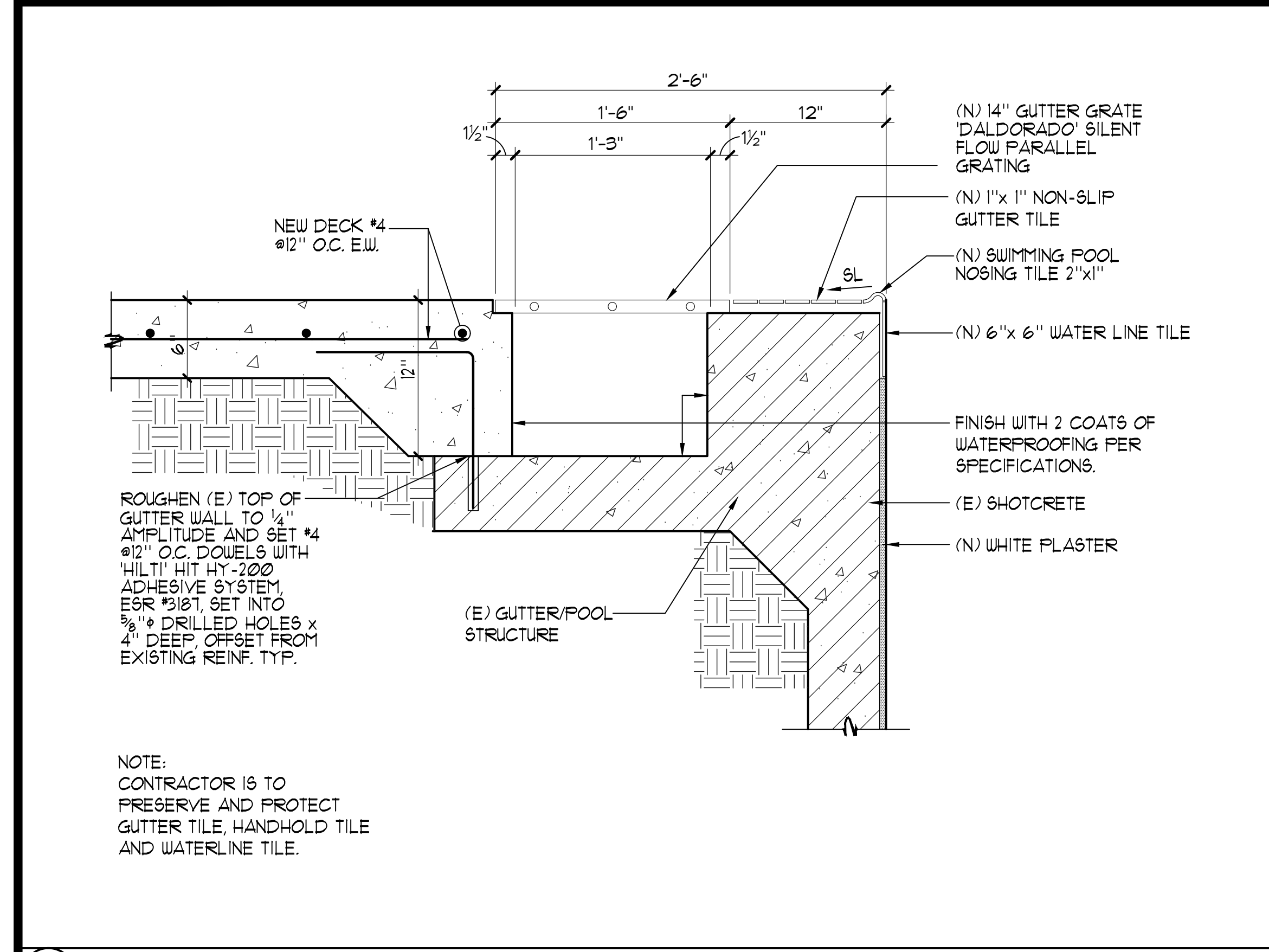


DRAWING TITLE

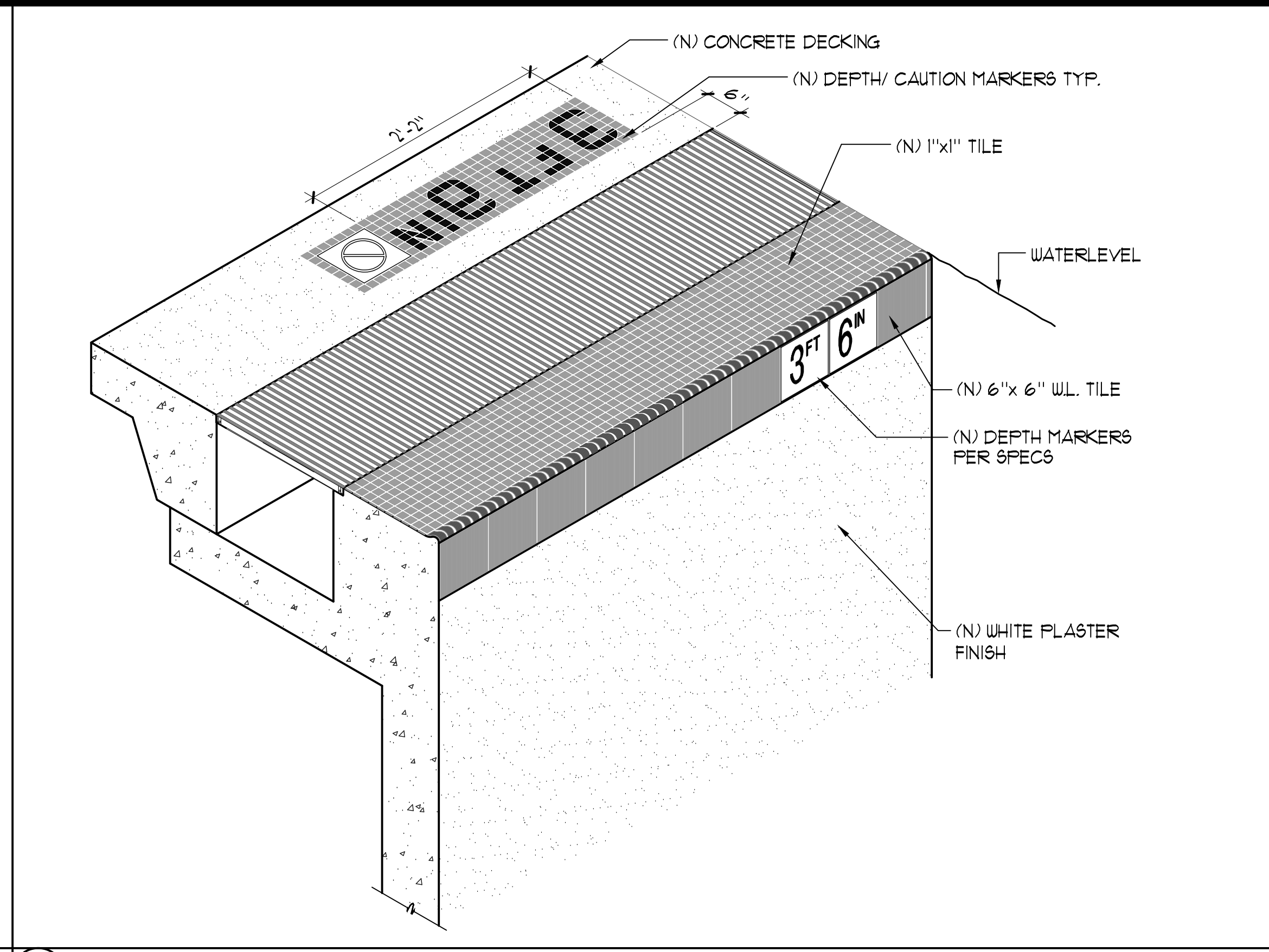
DETAILS

CALIFORNIA NATIONAL CITY 1337 INCORPORATED

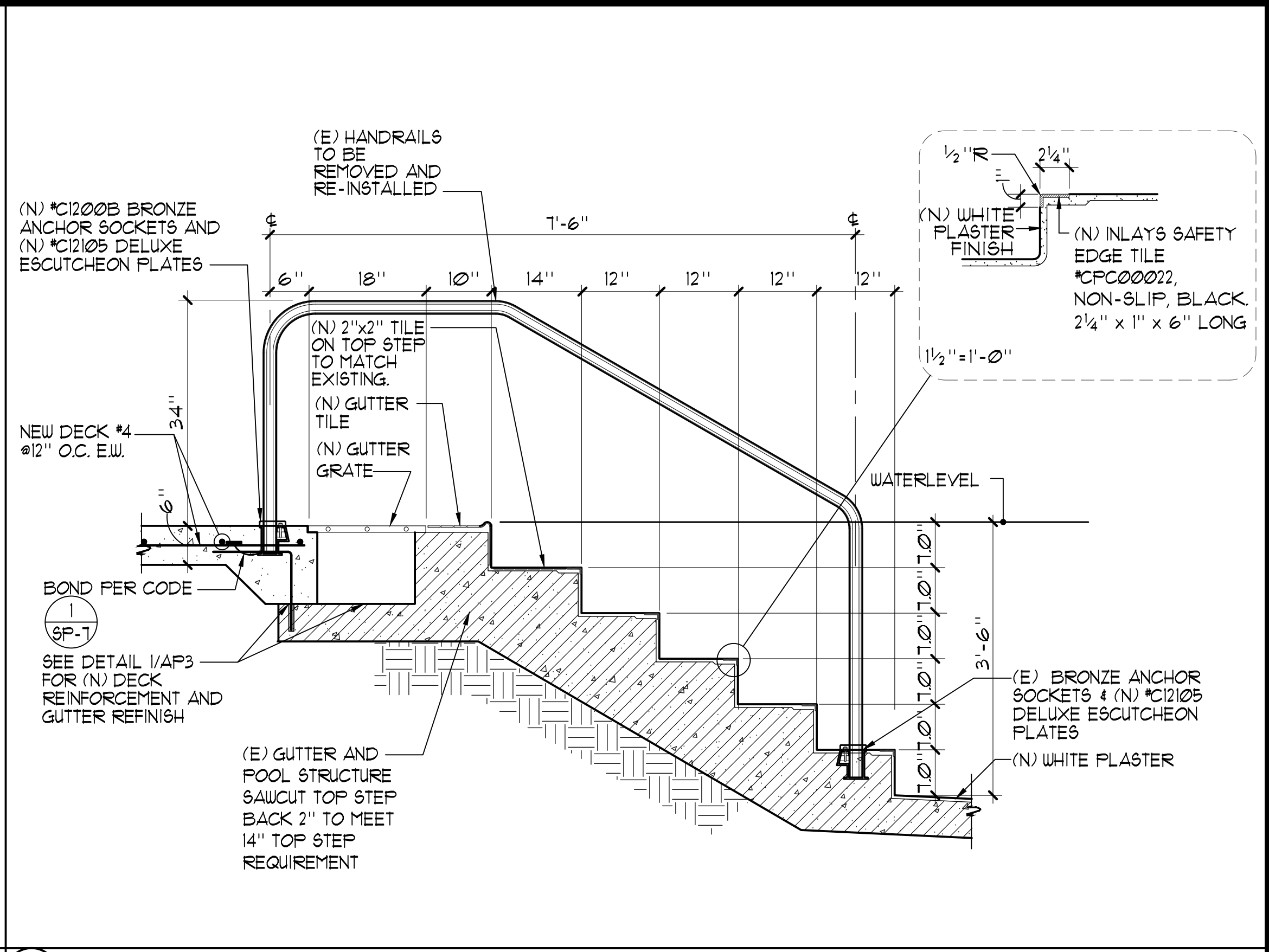
PROJECT NO.	2020.018
DRAWN BY	NMV
CHECKED BY	GSF
DATE	11/30/2021



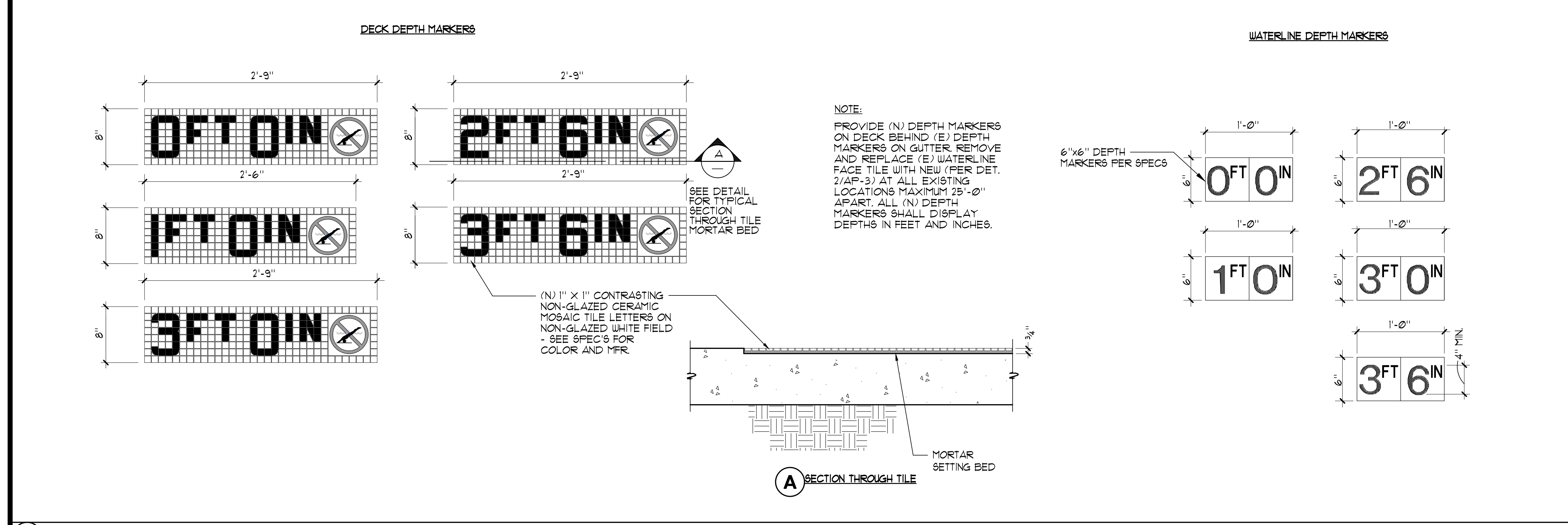
1 RIM FLOW GUTTER 1/2" = 1'-0"



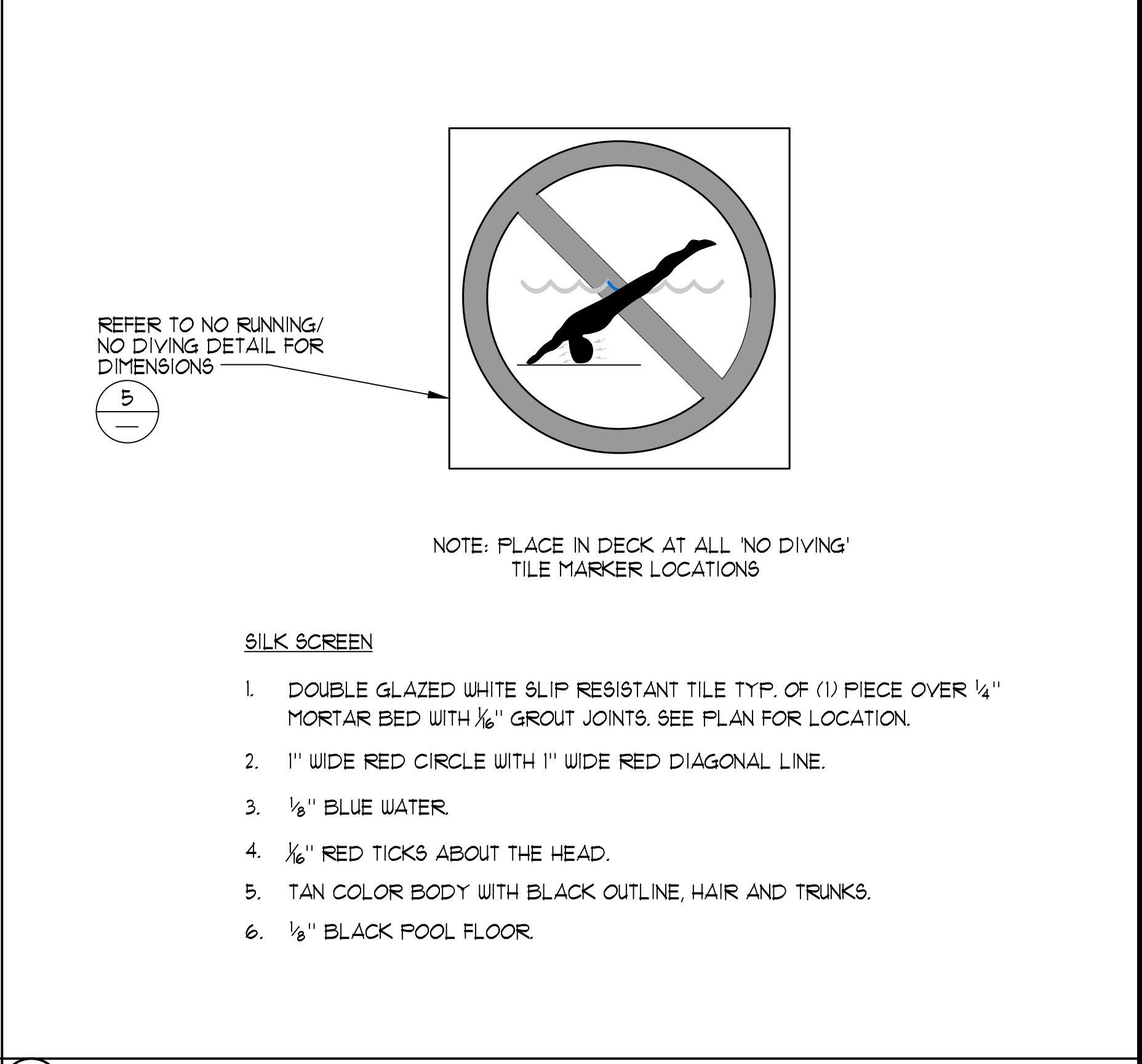
2 TYPICAL RIM FLOW GUTTER PERSPECTIVE NO SCALE



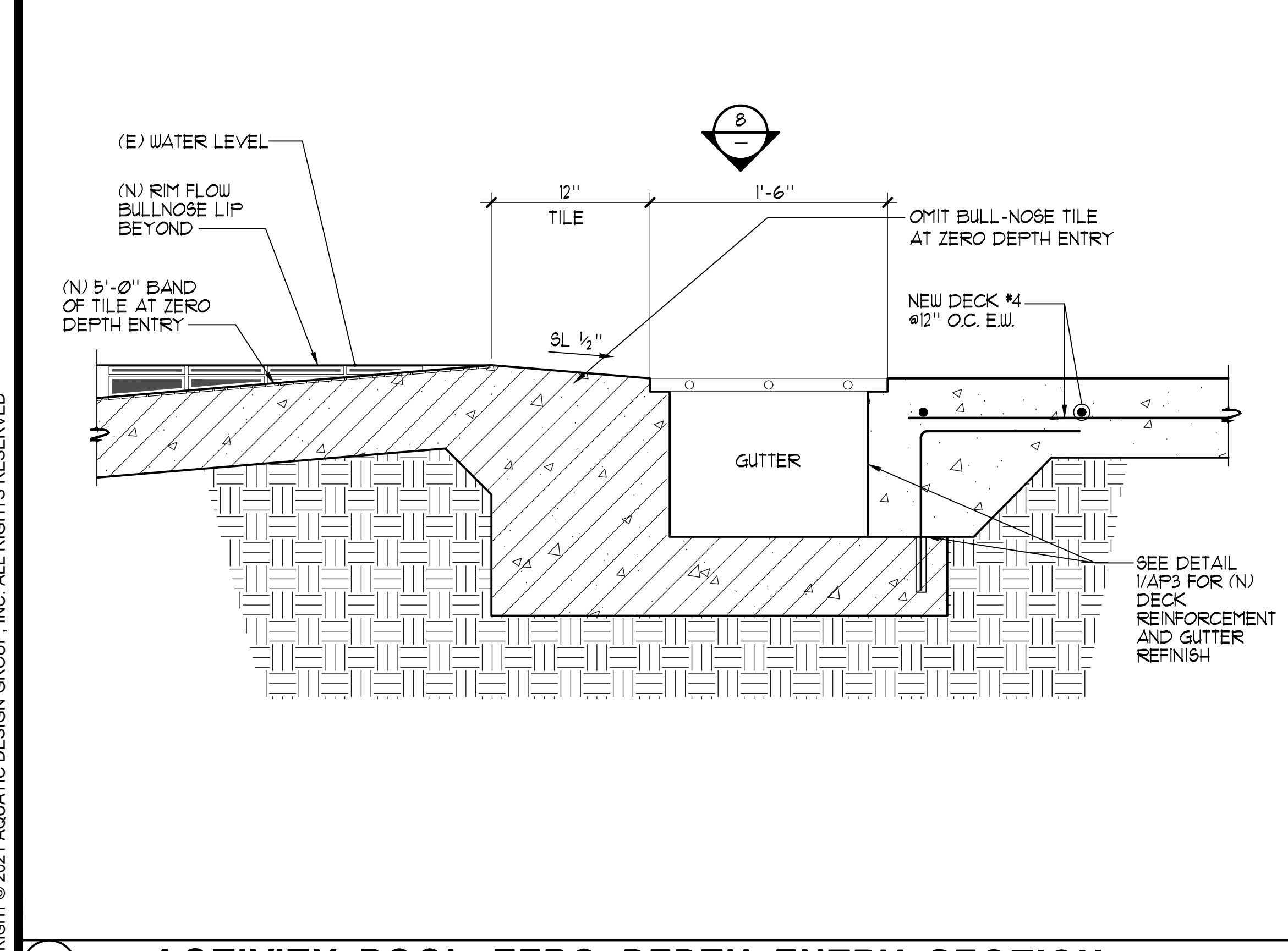
3 HANDRAIL DETAIL 3/4" = 1'-0"



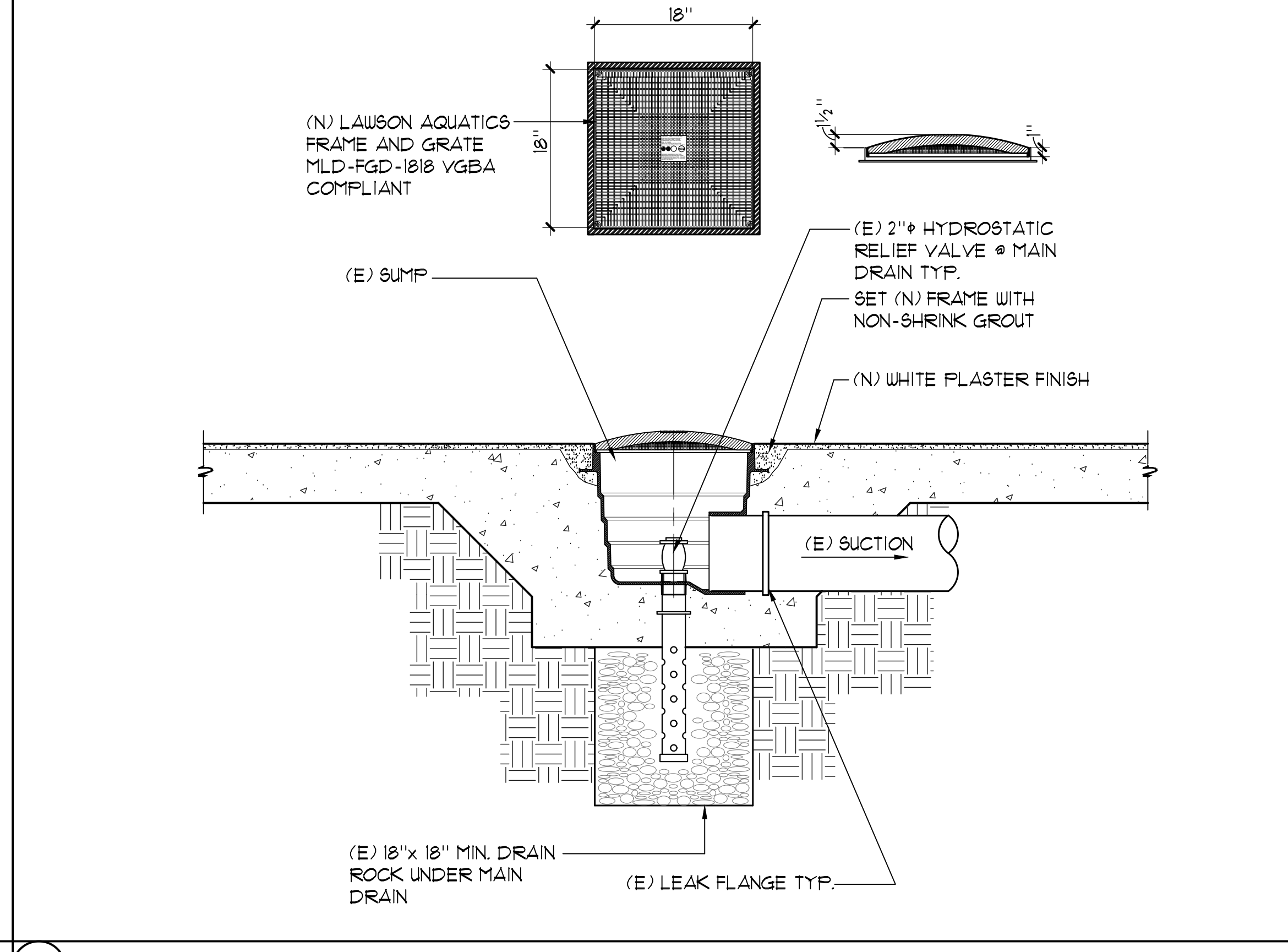
4 DEPTH MARKERS 1/2" = 1'-0"



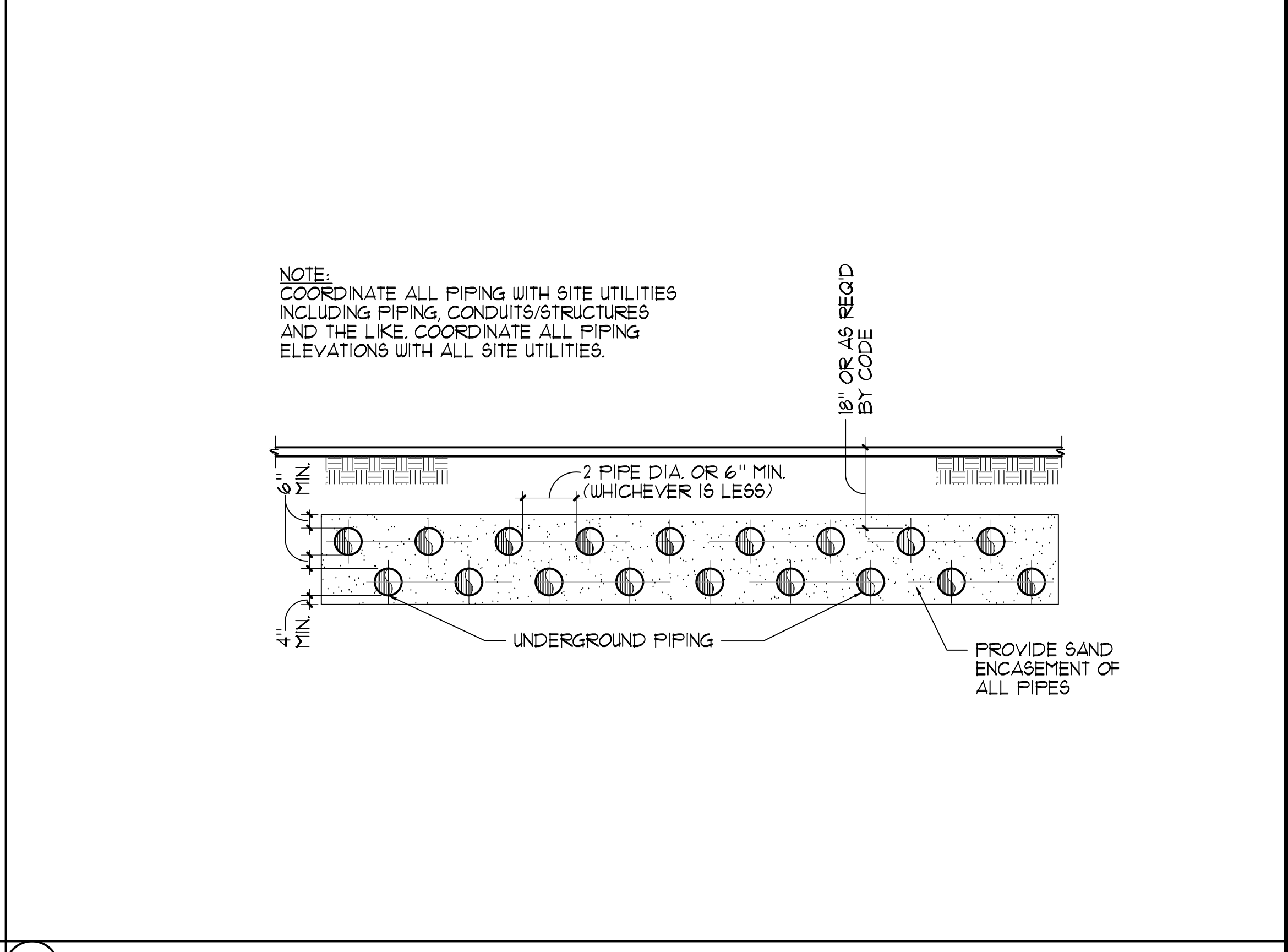
5 INTERNATIONAL 'NO DIVING' MARKER 3" = 1'-0"



6 ACTIVITY POOL ZERO DEPTH ENTRY SECTION 1/2" = 1'-0"



7 MAIN DRAIN 1" = 1'-0"



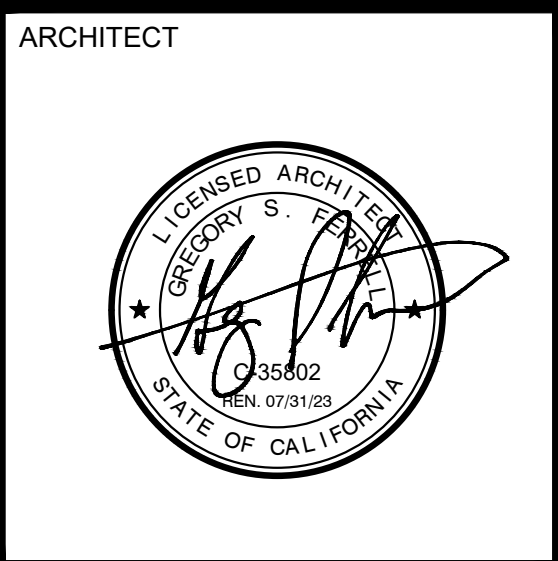
8 STACKED UNDERGROUND PIPING NO SCALE

COPYRIGHT © 2021, AQUATIC DESIGN GROUP, INC. ALL RIGHTS RESERVED

These drawings and specifications are the property and copyright of Aquatic Design Group, Inc. and shall not be used on any other work except by agreement with Aquatic Design Group, Inc. Written dimensions shall take preference over scaled dimensions and shall be verified on the job site. Any discrepancy shall be brought to the notice of Aquatic Design Group, Inc. prior to the commencement of any work.

PROJECT INFORMATION
LAS PALMAS MUNICIPAL POOL RENOVATION
1800 EAST 22nd STREET
NATIONAL CITY, CALIFORNIA 91950

REVISIONS		
NO.	DATE	DESCRIPTION



DRAWING TITLE
(E) MECHANICAL ROOM PLAN

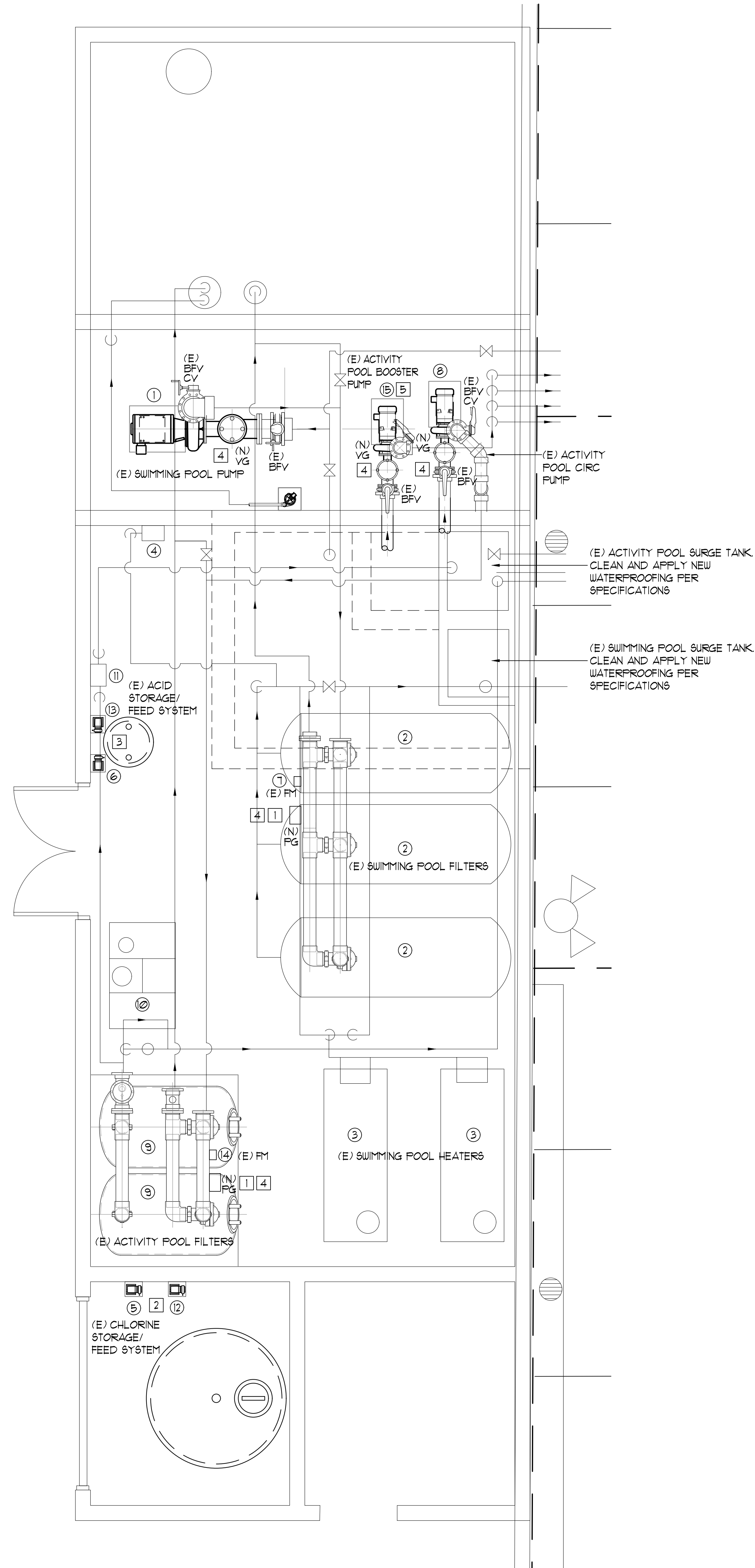


PROJECT NO.	2020.018
DRAWN BY	NMV
CHECKED BY	GSF
DATE	11/30/2021

DRAWING NO.
MR-1

LEGEND

- (E) = EXISTING
(N) = NEW
CV = CHECK VALVE
FM = FLOWMETER
BFV = BUTTERFLY VALVE
PG/VG = VACUUM / PRESSURE GAUGE



EXISTING EQUIPMENT LIST

- ① SWIMMING POOL CIRCULATION PUMP, 30HP, PACO #10N-6205-1 LC, 1500 GPM @ 6.4 FT. TDH, ONE (1) TOTAL.
- ② SWIMMING POOL FILTER, 105 SQ. FT. W/ 1/2 HP PUMP, STARK # SA3-120 HIGH RATE SAND, THREE (3) TANKS TOTAL.
- ③ SWIMMING POOL HEATERS WITH MANIFOLD PIPING AND VENTING, LOCHINVAR #CFN 2070, TWO (2) TOTAL.
- ④ SWIMMING POOL WATER CHEMISTRY CONTROLLER, STRANCO SYSTEM 4, ONE (1) TOTAL.
- ⑤ SWIMMING POOL CHLORINE FEED PUMP, LMI #B131 RATED AT 240 GPD, ONE (1) TOTAL.
- ⑥ SWIMMING POOL ACID FEED PUMP, LMI #B121 RATED AT 60 GPD, ONE (1) TOTAL.
- ⑦ SWIMMING POOL FLOW METER, SIGNET #5100, ONE (1) TOTAL.
- ⑧ ACTIVITY POOL CIRCULATION PUMP, 10HP, PACO #10N-3095-1 LC, 450 GPM @ 7.0 FT. TDH, ONE (1) TOTAL.
- ⑨ ACTIVITY POOL FILTERS, 40 SQ. FT. W/ 1/2 HP PUMP, STARK # 582-12-06 HIGH RATE SAND, TWO (2) TANKS TOTAL.
- ⑩ ACTIVITY POOL HEATER PIPING AND VENTING, RAYPAK HI DELTA #932, ONE (1) TOTAL.
- ⑪ ACTIVITY POOL WATER CHEMISTRY CONTROLLER, STRANCO SYSTEM 4, ONE (1) TOTAL.
- ⑫ ACTIVITY POOL CHLORINE FEED PUMP, LMI #C131 RATED AT 192 GPD, ONE (1) TOTAL.
- ⑬ ACTIVITY POOL ACID FEED PUMP, LMI #B131 RATED AT 108 GPD, ONE (1) TOTAL.
- ⑭ ACTIVITY POOL FLOW METER, SIGNET #5090, ONE (1) TOTAL.
- ⑮ ACTIVITY POOL SPRAY FEATURE BOOSTER PUMP, 5HP, PENTAIR #EQK-500, RATED AT 210 GPM @ 7.0 FT TDH, ONE (1) TOTAL.

NEW EQUIPMENT

1. REPLACE EXISTING SWIMMING POOL AND ACTIVITY POOL FILTER BACKWASH VALVES, FILTER SEALS, INTERNAL LATERALS, SAND MEDIA, BACKWASH CONTROLLER AND 1/2 HP BACKWASH BOOSTER PUMP FOR EACH POOL SYSTEM.
2. REMOVE AND REPLACE SWIMMING POOL AND ACTIVITY CHLORINE FEED PUMPS, PROVIDE TWO (2) NEW FEED PUMP(S) SHALL BE LMI #SD43-88P-KSI, 288 GPD @ 15 PSI WITH FRP SHELF BRACKETS, HARD PIPE TO POINT OF INJECTION FOR ACTIVITY POOL AND SWIMMING POOL.
3. REMOVE AND REPLACE SWIMMING POOL AND ACTIVITY ACID FEED PUMPS, PROVIDE NEW 'STENNER' #45M-5 ACID FEED PUMP(S) RATED AT 90 GPD @ 25 PSI WITH FRP SHELF BRACKETS, HARD PIPE TO POINT OF INJECTION FOR ACTIVITY POOL AND SWIMMING POOL. RECHARGE EXISTING VAPOR RECOVERY SYSTEM TO ACID STORAGE TANK.
4. REMOVE AND REPLACE ALL EXISTING GAUGES INCLUDING BACKWASH GAUGES, FILTER GAUGES, PRESSURE AND VACUUM GAUGES COMPLETE IN MECHANICAL ROOM. CONTRACTOR SHALL FIELD VERIFY QUANTITY AND LOCATION.
5. REMOVE AND REPLACE ACTIVITY POOL BOOSTER PUMP WITH NEW 'PENTAIR' #EQK-500, RATED AT 210 GPM @ 7.0 FT TDH, ONE (1) TOTAL.

GENERAL NOTES

1. THE PIPING SYSTEM SHALL HAVE DIRECTION OF FLOW ARROWS INDICATED ON THE PIPES.
2. PUBLIC POOLS SHALL HAVE A FLOW DIAGRAM OF THE POOL'S PIPING SYSTEM WITH OPERATION INSTRUCTIONS.
3. THE FLOW DIAGRAM AND INSTRUCTIONS SHALL BE AVAILABLE ON THE PREMISES AT ALL TIME.
4. INTERLOCK NEW FEED PUMPS WITH WATER CHEMISTRY CONTROLLER AND FLOW METERS AS WELL AS CIRCULATION PUMPS TO ENSURE THAT CHEMICAL PUMPS ARE NON-OPERATIONAL WHEN NO FLOW IS DETECTED.
5. CONTRACTOR SHALL VERIFY ALL PIPING SIZING AND CONNECTIONS WITH MANUFACTURER PRIOR TO ORDERING REPLACEMENT PARTS AND BACKWASH BOOSTER PUMPS. REPLACE ALL ITEMS WITH IN KIND AS INDICATED BY MANUFACTURER OR INDICATED ON THESE PLANS.

NOTE:
ALL ELECTRICAL CONDUITS WITHIN MECHANICAL ROOM AND CHEMICAL ROOMS SHALL BE RIGID NEMA 3R SUITABLE FOR CORROSIVE ATMOSPHERE.

(E) MECHANICAL ROOM PLAN

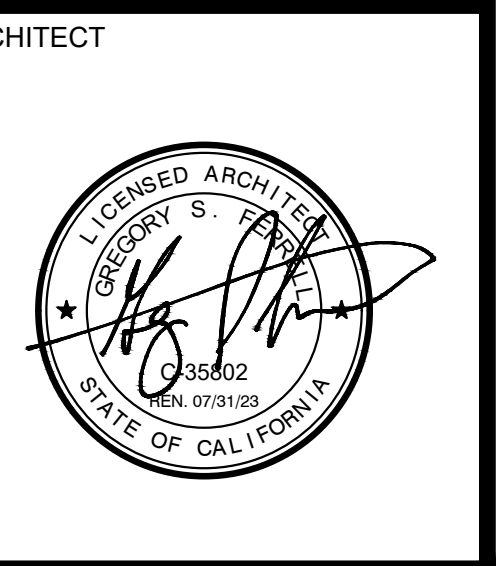
3/8" = 1'-0"

These drawings and specifications are the property and copyright of Aquatic Design Group, Inc. and shall not be used on any other work except by agreement with Aquatic Design Group, Inc. Written dimensions shall take preference over scaled dimensions and shall be verified on the job site. Any discrepancy shall be brought to the notice of Aquatic Design Group, Inc. prior to the commencement of any work.

PROJECT INFORMATION
LAS PALMAS MUNICIPAL POOL RENOVATION
1800 EAST 22ND STREET
NATIONAL CITY, CALIFORNIA 91950

REVISIONS

NO.	DATE	DESCRIPTION

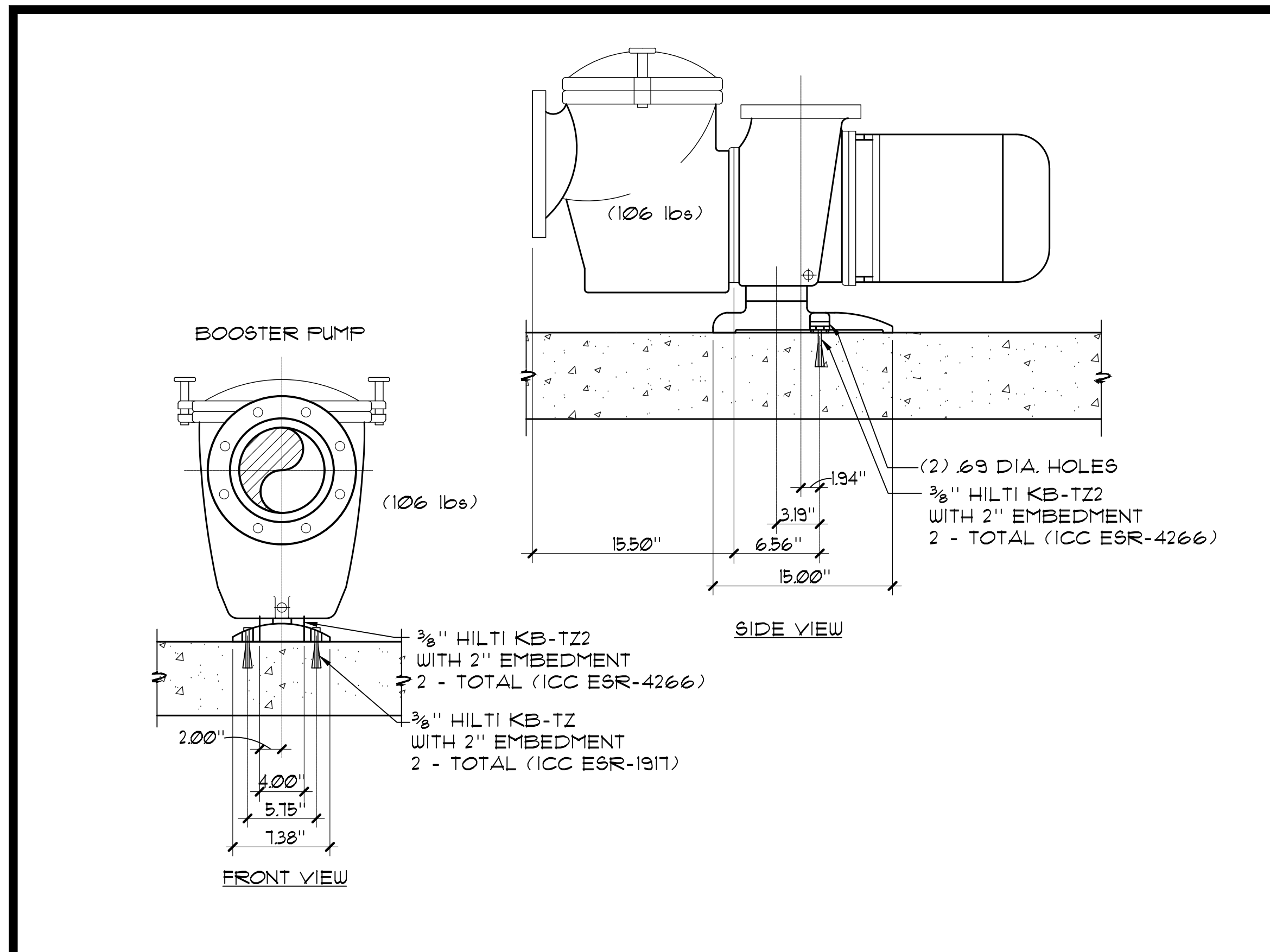


DRAWING TITLE
DETAILS

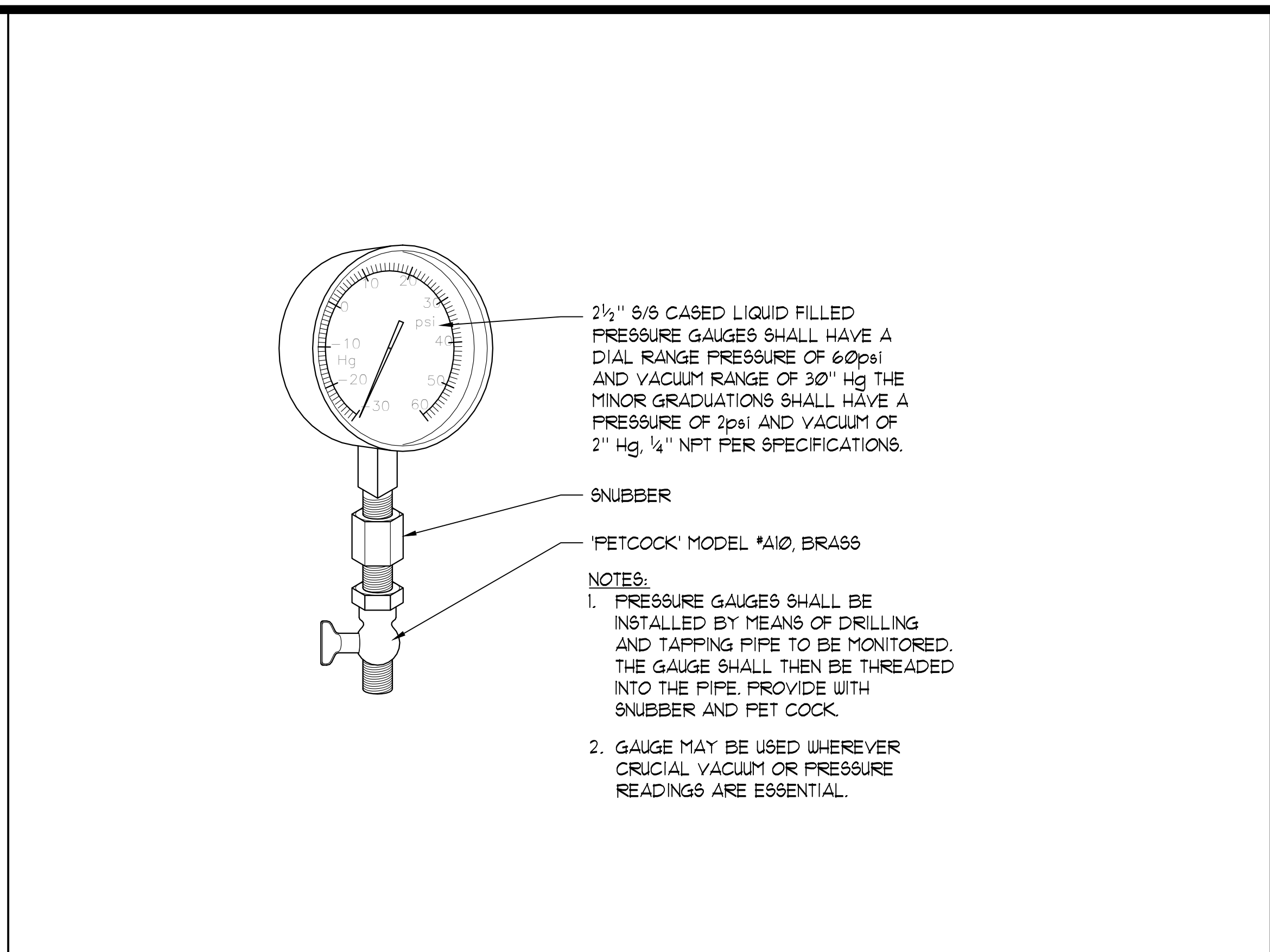


PROJECT NO. 2020.018
DRAWN BY NMV
CHECKED BY GSF
DATE 11/30/2021
DRAWING NO.

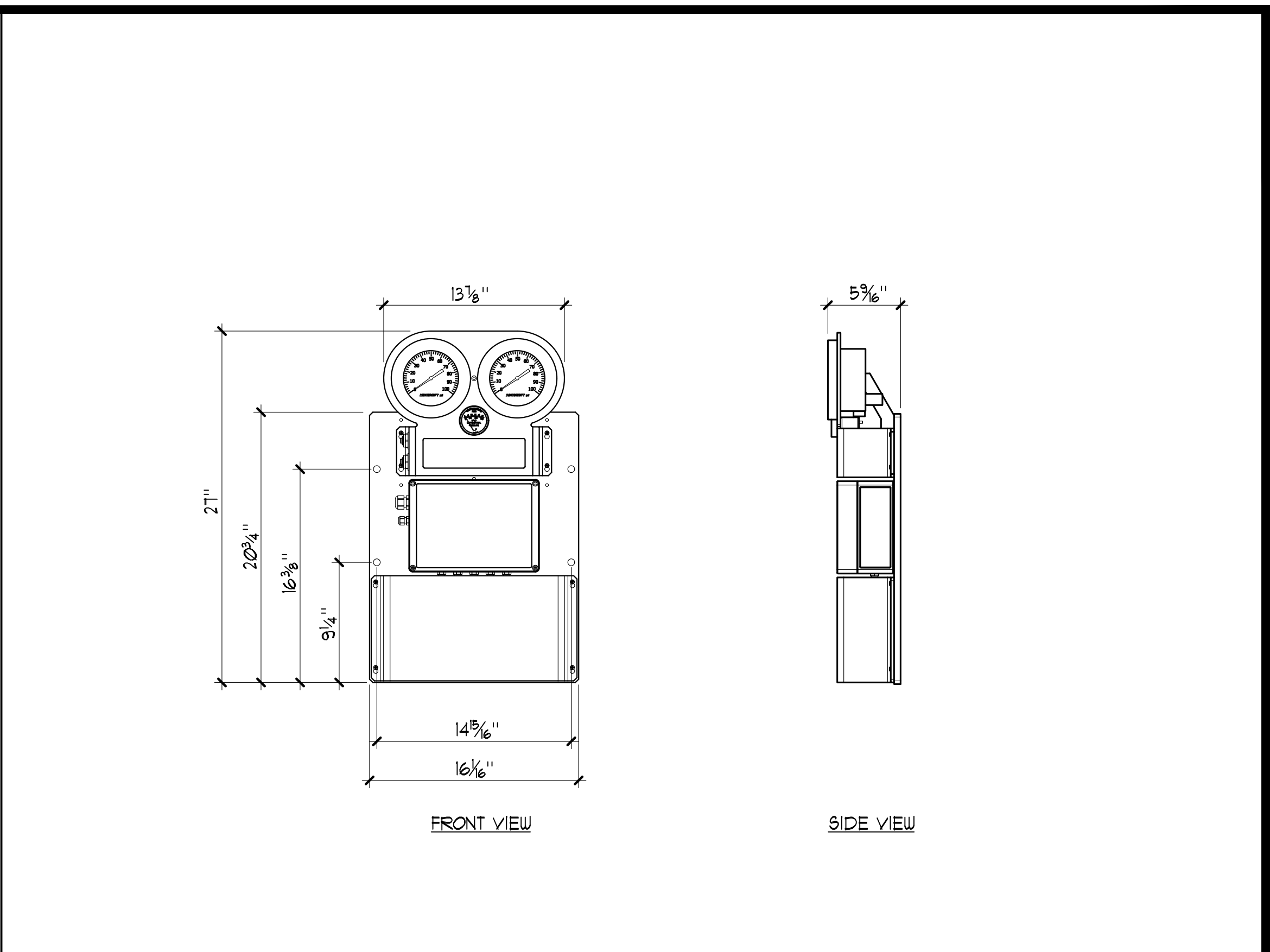
MR-2



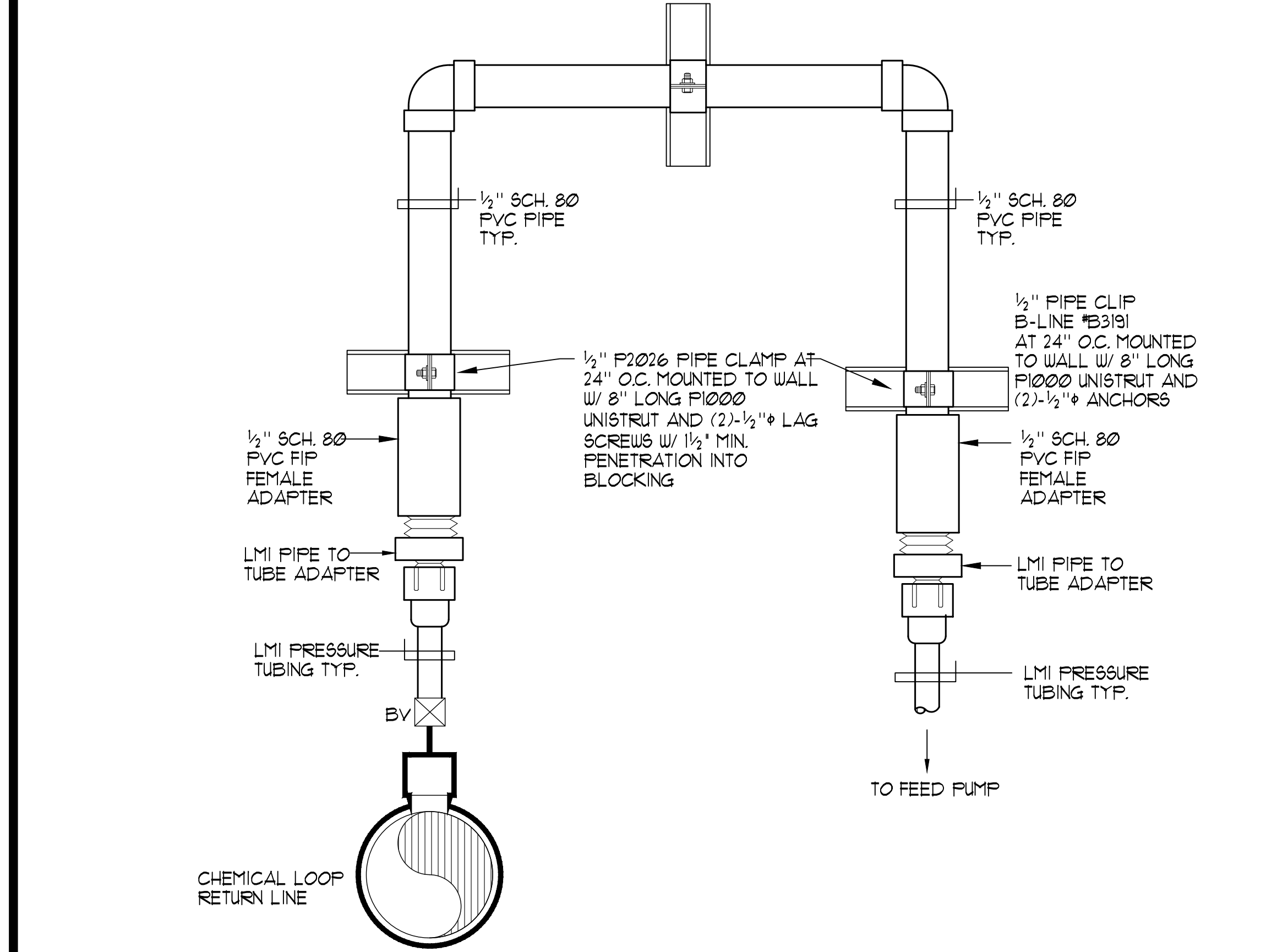
1 **PUMP ANCHORAGE** NO SCALE



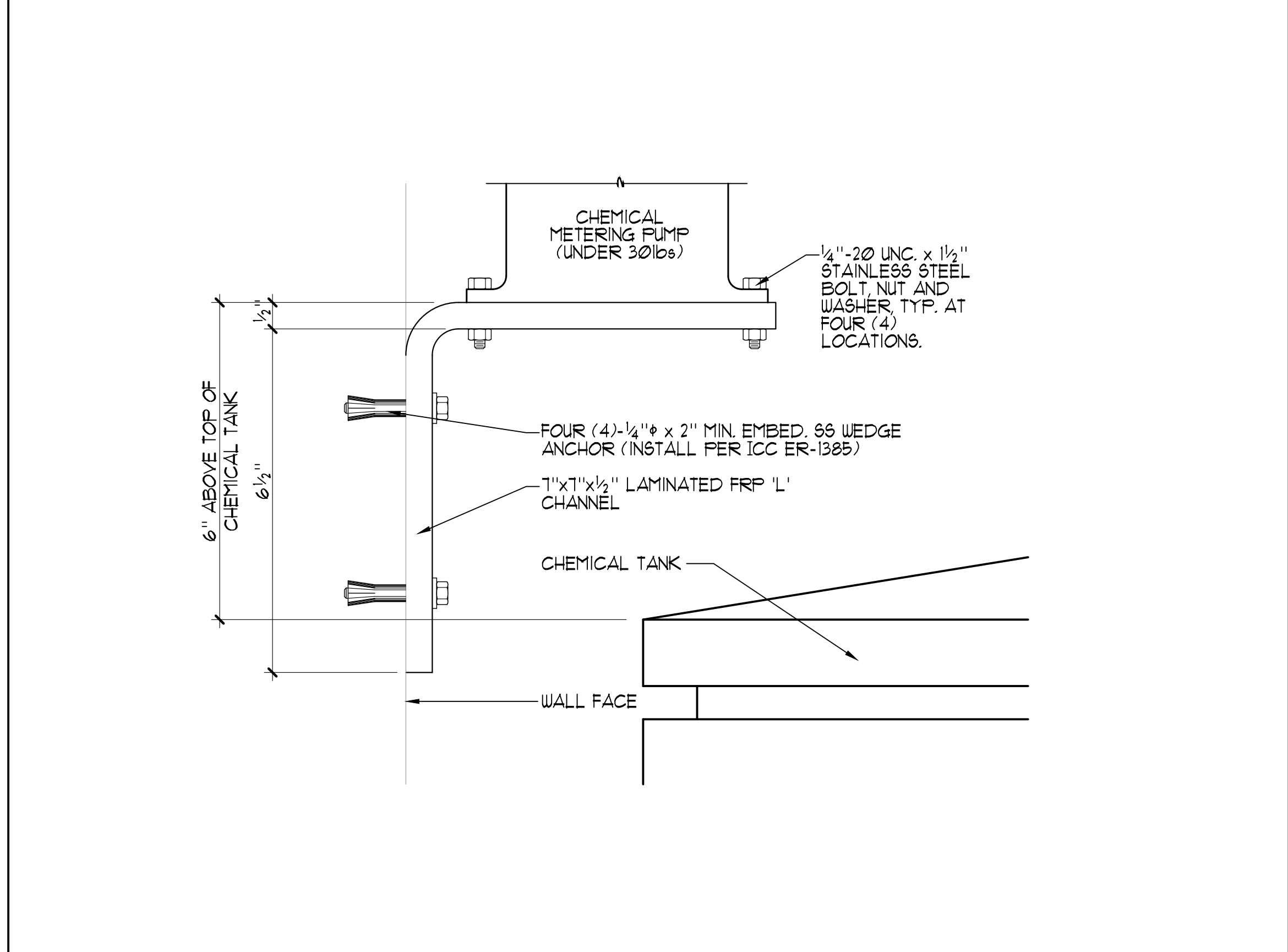
2 **PRESSURE/ VACUUM GAUGE** 6"=1'-0"



3 **FILTER INTERFACE SYSTEM** 1/2"=1'-0"



4 **CHEMICAL FEED PIPING DETAIL** NO SCALE



5 **CHEMICAL PUMP SHELF** 6"=1'-0"

COPYRIGHT © 2021 AQUATIC DESIGN GROUP, INC. ALL RIGHTS RESERVED